

SAE 3000 PSI

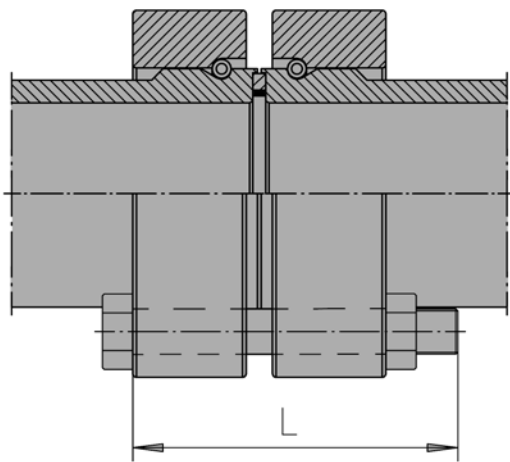
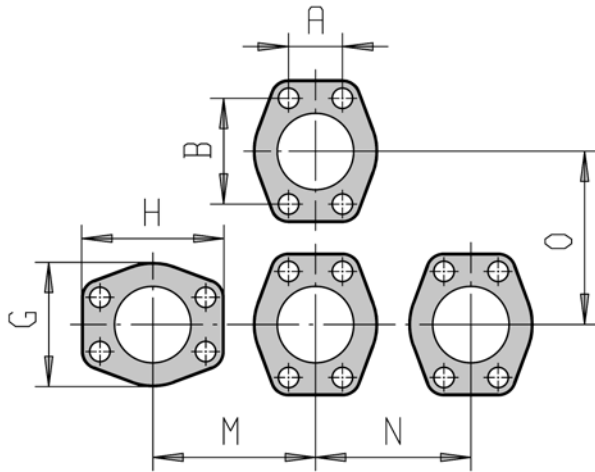
Product

Page

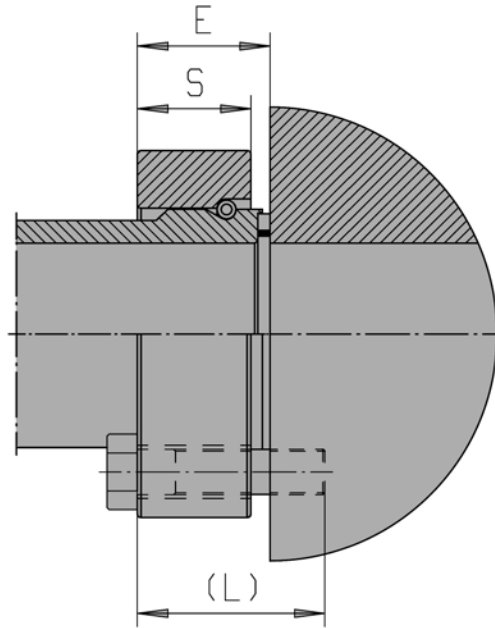
Retain Ring Flanges	59
Flare Flanges	60
Grooving Direct on to Pipe	61
Flare Flange Connection - Type A	62
Flare Flange Connection - Type B	64
Flare Flange Connection - Type C	66
Flare Flange Connection - Type D	68
Flange for Welding (1/2" - 1")	70
Flange for Welding (1 1/4" - 3")	71
Female Thread Flange (BSP)	72
Male Thread Flange (BSP)	73
Male Thread Flange (NPT)	74
Male Thread Flange (SAE)	75
Tee Flange	76
Tee Block	77
Tee Between (BSP)	78
Blind Flange	79
Flange Bend	80
Elbow Flange	81
Elbow Block	82
Reducer Flange	83
Reducer Block	84
Bulkhead Flange	85
Vibra Bulkhead Flange	86
Insert Cones	87
Adapters	89
Retain Ring	91
Bonded Seal	92
O-ring	93
O-ring 2 for Insert Cone	94
Sleeve	96
Seal Carrier	97



SAE 3000 PSI



Flange to flange



Flange to block

Note! When piping system, component or module conforms with Pressure Equipment Directive 97/23/EL and the size is 2½" or 3", max. allowed pressure is 77% of the informed value. With all other sizes the respective value is the informed value.

Metric

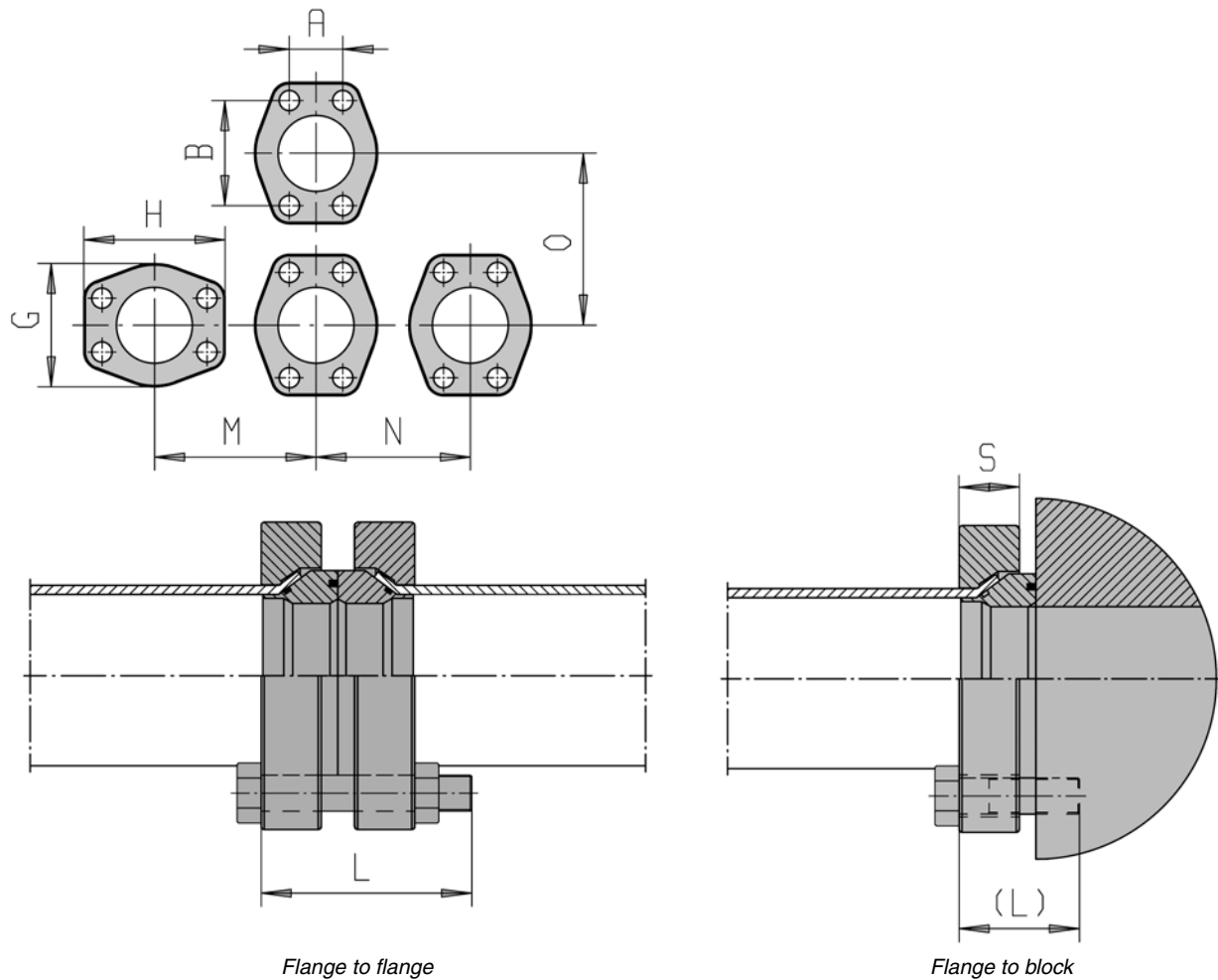
Size	Part No	ID Code	A	B	G	H	M	N	O	S	E	Bolt L DIN 912, 8.8	W.P. bar	Bolt Torque	Weight (kg)
1/2"	308	11020001	17.5	38.1	46	54	52	49	56	20	23	M8x60(35)	350	20 Nm	0.17
3/4"	312	11020300	22.2	47.6	52	65	61	55	68	20	23	M10x60(35)	350	28 Nm	0.21
1"	316	11020600	26.2	52.4	59	70	67	61	72	20	24	M10x60(35)	350	37 Nm	0.27
1 1/4"	320	11020900	30.2	58.7	73	79	78	75	82	20	24	M10x70(35)	280	48 Nm	0.38
1 1/2"	324	11021200	35.7	69.9	83	94	90	85	96	25	28	M12x80(45)	280	62 Nm	0.63
2"	332	11021500	42.9	77.8	97	102	102	99	104	30	33	M12x80(50)	280	73 Nm	0.94
2 1/2"	340	11021800	50.8	88.9	109	114	114	111	117	40	45	M12x110(60)	210	107 Nm	1.51
3"	348	11022100	61.9	106.4	131	135	136	133	137	50	56	M16x130(80)	210	186 Nm	2.29

ANSI 36.19

Size	Part No	ID Code	A	B	G	H	M	N	O	S	E	Bolt L DIN 912, 8.8	W.P. bar	Bolt Torque	Weight (kg)
1/2"	308/21.3	11020005	17.5	38.1	46	54	52	49	56	20	23	M8x60(35)	350	20 Nm	0.25
3/4"	312/26.7	11020305	22.2	47.6	52	65	61	55	68	20	23	M10x60(35)	350	28 Nm	0.29
1"	316/33.4	11020605	26.2	52.4	59	70	67	61	72	20	24	M10x60(35)	350	37 Nm	0.35
1 1/4"	320/42.2	11020905	30.2	58.7	73	79	78	75	82	20	24	M10x70(35)	280	48 Nm	0.48
1 1/2"	324/48.3	11021205	35.7	69.9	83	94	90	85	96	25	28	M12x80(45)	280	62 Nm	0.74
2"	332/60.3	11021507	42.9	77.8	97	102	102	99	104	30	33	M12x80(50)	280	73 Nm	0.99
2 1/2"	340/73.0	11021807	50.8	88.9	109	114	114	111	117	40	45	M12x110(60)	210	107 Nm	1.50
3"	348/88.9	11022108	61.9	106.4	131	135	136	133	137	50	56	M16x130(80)	210	186 Nm	2.65

Flange material: forged St 50.2
Other materials by request, for example Stainless Steel, SMO, Duplex, Titanium and Superduplex.

L= Flange to flange
(L)= Flange to block



Metric

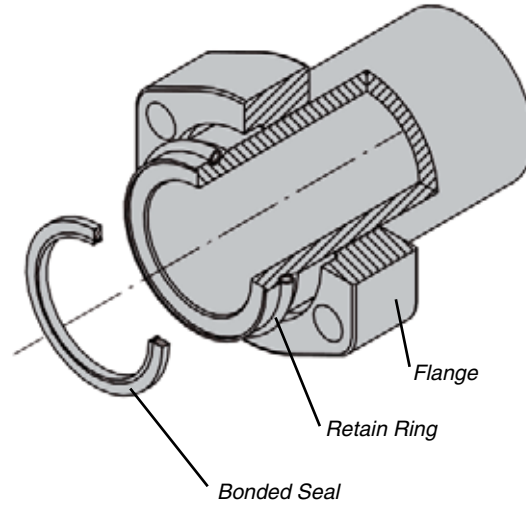
Size	Part No	ID Code	A	B	G	H	M	N	O	S	Bolt L DIN 912, 8.8	W.P. bar	Bolt Torque	Weight (kg)
1/2"	308F	11020030	17.5	38.1	46	54	52	49	56	20	M8x60(35)	350	20 Nm	0.17
3/4"	312F	11020330	22.2	47.6	52	65	61	55	68	20	M10x60(35)	350	28 Nm	0.23
1"	316F	11020630	26.2	52.4	59	70	67	61	72	20	M10x60(35)	350	37 Nm	0.27
1 1/4"	320F	11020930	30.2	58.7	73	79	78	75	82	20	M10x70(35)	280	48 Nm	0.39
1 1/2"	324F	11021230	35.7	69.9	83	94	90	85	96	25	M12x80(45)	280	62 Nm	0.65
2"	332F	11021530	42.9	77.8	97	102	102	99	104	30	M12x80(50)	280	73 Nm	0.98
2 1/2"	340F	11021830	50.8	88.9	109	114	114	111	117	40	M12x110(60)	210	107 Nm	1.49
3"	348F	11022130	61.9	106.4	131	135	136	133	137	50	M16x130(80)	210	186 Nm	2.52

ANSI 36.19

Size	Part No	ID Code	A	B	G	H	M	N	O	S	Bolt L DIN 912, 8.8	W.P. bar	Bolt Torque	Weight (kg)
1/2"	308F/21.3	11020055	17.5	38.1	46	54	52	49	56	20	M8x60(35)	350	20 Nm	0.21
3/4"	312F/26.7	11020340	22.2	47.6	52	65	61	55	68	20	M10x60(35)	350	28 Nm	0.32
1"	316F/33.4	11020636	26.2	52.4	59	70	67	61	72	20	M10x60(35)	350	37 Nm	0.39
1 1/4"	320F/42.2	11020947	30.2	58.7	73	79	78	75	82	20	M10x70(35)	280	48 Nm	0.45
1 1/2"	324F/48.3	11021240	35.7	69.9	83	94	90	85	96	25	M12x80(45)	280	62 Nm	0.80
2"	332F/60.3	11021533	42.9	77.8	97	102	102	99	104	30	M12x80(50)	280	73 Nm	1.15
2 1/2"	340F/73	11021832	50.8	88.9	109	114	114	111	117	40	M12x110(60)	210	107 Nm	1.61
3"	348F/88.9	11022132	61.9	106.4	131	135	136	133	137	50	M16x130(80)	210	186 Nm	2.71

Flange material: forged St 50.2
Other materials by request, for example Stainless Steel, SMO, Duplex, Titanium and Superduplex.

L= Flange to flange
(L)= Flange to block



Metric

Size	Pipe Size	Flange Part No	Flange ID Code	Retain Ring Part No	Retain Ring ID Code	Bonded Seal Part No	Bonded Seal ID Code
1"	39x7.5	316	11020900	16	19020020	1629	19030030
1 1/4"	46x8	320	11020900	20	19020030	2030	19030040
1 1/2"	56x8.5	324	11021200	24	19020040	2432	19030050
2"	66x8.5	332	11021500	32	19020060	3219	19030070
2 1/2"	80x10	340	11021800	40	19020070	4037	19030080
3"	97x12	348	11022100	48	19020080	4839	19030090

ANSI 36.19

Size	Pipe Size	Flange Part No	Flange ID Code	Retain Ring Part No	Retain Ring ID Code	Bonded Seal Part No	Bonded Seal ID Code
1/2"	21.3x7.5	308/21.3	11020005	08/21.3	19020002	0821	19030010
3/4"	26.7x7.8	312/26.7	11020305	12/26.7	19020012	0823	19030014
1"	33.4x9.1	316/33.4	11020605	16/33.4	19020022	1633	19030030
1 1/4"	42.2x9.7	320/42.2	11020905	20/42.2	19020032	2024	19030044
1 1/2"	48.3x10.2	324/48.3	11021205	24/48.3	19020042	2448	19030052
2"	60.3x11.1	332/60.3	11021507	32/60.3	19020062	3260	19030074
2"	60.3x8.7	332/60.3	11021507	32/60.3	19020062	3260	19030074
2 1/2"	73.0x9.53	340/73.0	11021807	40/73.0	19020072	4073	19030082
2 1/2"	73.0x14.02	340/73.0	11021807	40/73.0	19020072	4073	19030082
3"	88.9x15.2	348/88.9	11022108	48/88.9	19020082	4888	19030092
3"	88.9x11.1	348/88.9	11022108	48/88.9	19020082	4888	19030092

Flange material: Forged St50.2, Stainless Steel, SMO, Duplex, Titanium, Superduplex.

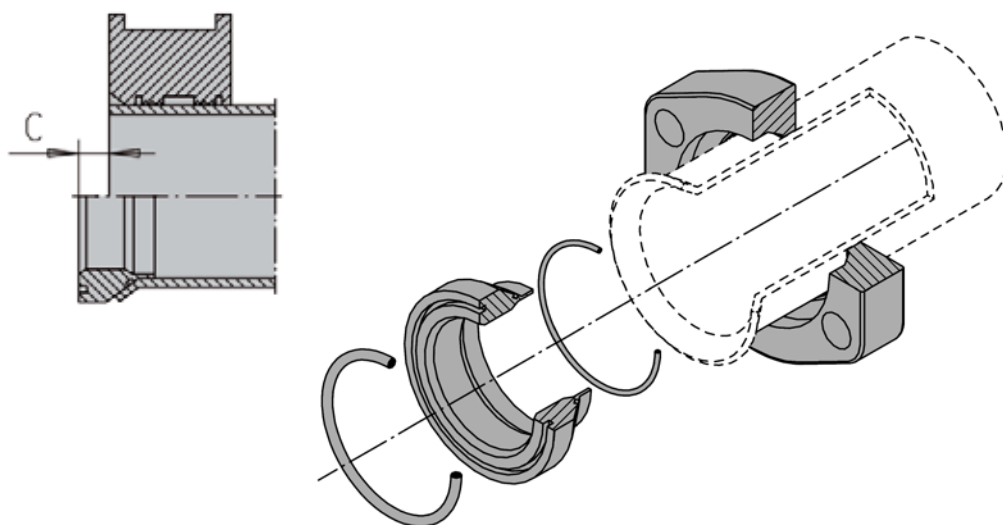
Retain ring material: AISI 302, special treated.

Bonded seal material: Steel and Perbunan or Stainless Steel and Perbunan.

SAE 3000 PSI

Flare Flange Connection – Type A

SAE J 518 Code 61

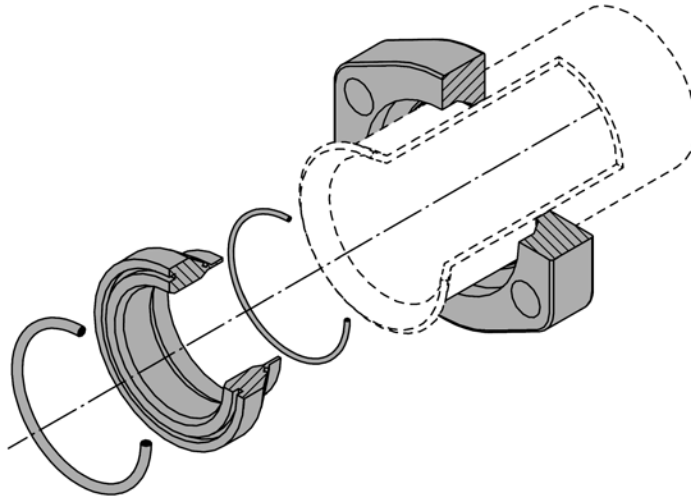


Metric

Size	Pipe Size	Complete Part No	Complete ID Code	C	Weight (kg)	Insert Part No	O-Ring Part No	O-Ring2 Part No	Sleeve Part No
1/2"	16x2.0	308/16X2.0FA	14015000	10	0.22	08/16X2.0FA	OR18.64x3.53	OR12x1.0	08/16F
1/2"	18x2.0	308/18X2.0FA	14015010	11	0.21	08/18X2.0FA	OR18.64x3.53	OR14x1.0	08/18F
1/2"	20x2.0	308/20X2.0FA	14015020	9	0.22	08/20X2.0FA	OR18.64x3.53	OR16x1.0	08/20F
1/2"	25x2.5	308/25X2.5FA	14015030	9	0.22	08/25X2.5FA	OR18.64x3.53	OR20x1.0	None
1/2"	25x3.0	308/25X3.0FA	14015035	9	0.22	08/25X3.0FA	OR18.64x3.53	OR20x1.0	None
3/4"	20x2.0	312/20X2.0FA	14015050	12	0.36	12/20X2.0FA	OR24.99x3.53	OR16x1.0	12/20F
3/4"	20x2.5	312/20X2.5FA	14015054	12	0.31	12/20X2.5FA	OR24.99x3.53	OR15x1.0	12/20F
3/4"	25x2.5	312/25X2.5FA	14015061	9	0.34	12/25X2.5FA	OR24.99x3.53	OR20x1.0	12/25F
3/4"	25x3.0	312/25X3.0FA	14015066	10	0.34	12/25X3.0FA	OR24.99x3.53	OR20x1.0	12/25F
3/4"	30x3.0	312/30X3.0FA	14015075	9	0.31	12/30X3.0FA	OR24.99x3.53	OR23x1.0	None
1"	25x2.5	316/25X2.5FA	14015090	9	0.46	16/25X2.5FA	OR32.92x3.53	OR20x1.0	16/25F
1"	25x3.0	316/25X3.0FA	14015095	9	0.46	16/25X3.0FA	OR32.92x3.53	OR20x1.0	16/25F
1"	30x3.0	316/30X3.0FA	14015100	7	0.43	16/30X3.0FA	OR32.92x3.53	OR23x1.0	16/30F
1"	30x4.0	316/30X4.0FA	14015105	7	0.43	16/30X4.0FA	OR32.92x3.53	OR22x1.0	16/30F
1"	38x4.0	316/38X4.0FA	14015110	10	0.37	16/38X4.0FA	OR32.92x3.53	OR30x1.0	None
1 1/4"	30x3.0	320/30X3.0FA	14015020	10	0.61	20/30X3.0FA	OR37.69x3.53	OR23x1.0	20/30F
1 1/4"	30x4.0	320/30X4.0FA	1401512302	10	0.50	20/30X4.0FA	OR37.69x3.53	OR22x1.0	20/30F
1 1/4"	38x4.0	320/38X4.0FA	14015125	9	0.56	20/38X4.0FA	OR37.69x3.53	OR30x1.0	20/38F
1 1/4"	38x5.0	320/38X5.0FA	14015130	9	0.53	20/38X5.0FA	OR37.69x3.53	OR28x1.0	20/38F
1 1/4"	42x4.0	320/42X4.0FA	14015135	11	0.51	20/42X4.0FA	OR37.69x3.53	OR34x1.0	None
1 1/2"	30x3.0	324/30X3.0FA	14015141	14	0.91	24/30X3.0FA	OR47.22X3.53	OR23x1.0	24/30F
1 1/2"	38x4.0	324/38X4.0FA	14015145	13	1.02	24/38X4.0FA	OR47.22X3.53	OR30x1.0	24/38F
1 1/2"	42x4.0	324/42X4.0FA	14015150	13	0.97	24/42X4.0FA	OR47.22X3.53	OR34x1.0	24/42F
1 1/2"	50x5.0	324/50X5.0FA	14015160	11	0.86	24/50X5.0FA	OR47.22X3.53	OR41x1.78	None
2"	50x5.0	332/50X5.0FA	14015170	11	1.41	32/50X5.0FA	OR56.75x3.53	OR41x1.78	32/50F
2"	60x5.0	332/60X5.0FA	14015161	11	1.23	32/60X5.0FA	OR56.75x3.53	OR50.52x1.78	None
2"	60x6.0	332/60X6.0FA	14015165	11	1.23	32/60X6.0FA	OR56.75x3.53	OR47.37x1.78	None
2 1/2"	60x5.0	340/60X5.0FA	14015178	12	2.11	40/60X5.0FA	OR69.44x3.53	OR50.52x1.78	40/60F
2 1/2"	72x7.0	340/72X7.0FA	1401517922	12	1.90	40/72X7.0FA	OR69.44x3.53	OR56.87x1.78	None
2 1/2"	75x5.0	340/75X5.0FA	14015180	13	1.95	40/75X5.0FA	OR69.44x3.53	OR63.22x1.78	None
3"	75x5.0	348/75X5.0FA	14015191	16	3.57	48/75X5.0FA	OR85.32x3.53	OR63.22x1.78	48/75F
3"	90x5.0	348/90X5.0FA	14015198	14	3.07	48/90X5.0FA	OR85.32x3.53	OR79x1.78	None

Part code does not include bolts
Material possibilities page 17

Flanges page 60
Inserts page 88
Sleeves page 96
O-Rings page 93-95

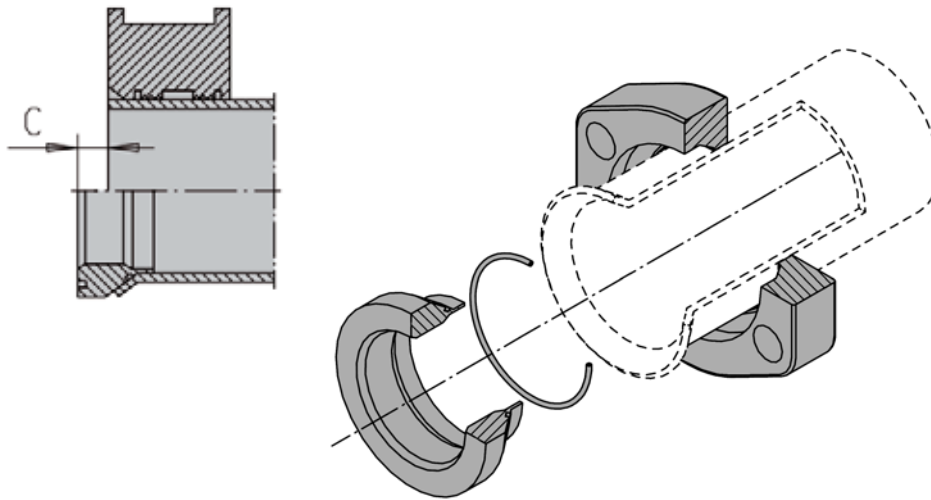


ANSI 36.19

Size	Pipe Size	Complete Part No	Complete ID Code	Weight (kg)	Insert	O-Ring	O-Ring 2
1/2"	21.3X3.7	308/21.3X3.7FA	14017210	0.2	08/21.3X3.7FA	OR18.64x3.53	OR14x1.0
1/2"	21.3X4.8	308/21.3X4.8FA	14017220	0.2	08/21.3X4.8FA	OR18.64x3.53	OR12x1.0
1/2"	19.05X2.11	308/19.05X2.11FA	14017230	0.2	08/19.05X2.11FA	OR18.64x3.53	OR14x1.0
1/2"	19.05X2.41	308/19.05X2.41FA	14017240	0.2	08/19.05X2.41FA	OR18.64x3.53	OR14x1.0
1/2"	19.05X2.77	308/19.05X2.77FA	14017250	0.2	08/19.05X2.77FA	OR18.64x3.53	OR14x1.0
3/4"	26.7X3.9	312/26.7X3.9FA	14017260	0.3	12/26.7X3.9FA	OR25x3.53	OR20x1.0
3/4"	26.7X5.6	312/26.7X5.6FA	14017270	0.3	12/26.7X5.6FA	OR25x3.53	OR16x1.0
3/4"	25.4X2.11	312/25.4X2.11FA	14017280	0.3	12/25.4X2.11FA	OR25x3.53	OR20X1.0
3/4"	25.4X2.77	312/25.4X2.77FA	14017290	0.3	12/25.4X2.77FA	OR25x3.53	OR20X1.0
3/4"	25.4X3.05	312/25.4X3.05FA	14017300	0.3	12/25.4X3.05FA	OR25x3.53	OR20X1.0
1"	33.4X3.4	316/33.4X3.4FA	14017310	0.5	16/33.4X3.4FA	OR32.92x3.53	OR28X1.0
1"	33.4X4.6	316/33.4X4.6FA	14017320	0.5	16/33.4X4.6FA	OR32.92x3.53	OR23x1.0
1"	33.4X6.4	316/33.4X6.4FA	14017330	0.5	16/33.4X6.4FA	OR32.92x3.53	OR21x1.0
1"	31.75X2.77	316/31.75X2.77FA	14017340	0.5	16/31.75X2.77FA	OR32.92x3.53	OR25X1.0
1"	31.75X3.05	316/31.75X3.05FA	14017350	0.5	16/31.75X3.05FA	OR32.92x3.53	OR25X1.0
1"	31.75X3.40	316/31.75X3.40FA	14017360	0.5	16/31.75X3.40FA	OR32.92x3.53	OR23X1.0
1 1/4"	38.1X3.40	320/38.1X3.40FA	14017370	0.6	20/38.1X3.40FA	OR37.69x3.53	OR30X1.0
1 1/4"	38.1X3.96	320/38.1X3.96FA	14017380	0.6	20/38.1X3.96FA	OR37.69x3.53	OR30X1.0
1 1/4"	38.1X4.78	320/38.1X4.78FA	14017390	0.6	20/38.1X4.78FA	OR37.69x3.53	OR28X1.0
1 1/4"	42.2X3.6	320/42.2X3.6FA	14017400	0.6	20/42.2X3.6FA	OR37.69x3.53	OR34X1.0
1 1/4"	42.2X4.9	320/42.2X4.9FA	14017410	0.6	20/42.2X4.9FA	OR37.69x3.53	OR32x1.0
1 1/4"	42.2X6.4	320/42.2X6.4FA	14017420	0.6	20/42.2X6.4FA	OR37.69x3.53	OR30x1.0
1 1/2"	50.8X3.96	324/50.8X3.96FA	14017430	0.9	24/50.8X3.96FA	OR47.22x3.53	OR41X1.78
1 1/2"	50.8X4.78	324/50.8X4.78FA	14017440	0.9	24/50.8X4.78FA	OR47.22x3.53	OR41X1.78
1 1/2"	48.3X3.7	324/48.3X3.7FA	14017450	0.9	24/48.3X3.7FA	OR47.22x3.53	OR41X1.78
1 1/2"	48.3X5.1	324/48.3X5.1FA	14017460	0.9	24/48.3X5.1FA	OR47.22x3.53	OR37.82x1.78
2"	60.3X3.9	332/60.3X3.9FA	14017470	1.4	32/60.3X3.9FA	OR56.75x3.53	OR53.67x1.78
2"	60.3X5.5	332/60.3X5.5FA	14017480	1.4	32/60.3X5.5FA	OR56.75x3.53	OR50.52x1.78
2 1/2"	73X5.2	340/73X5.2FA	14017490	2.1	40/73X5.2FA	OR69.44x3.53	OR63.22x1.78
2 1/2"	73X7.0	340/73X7.0FA	14017500	2.1	40/73X7.0FA	OR69.44x3.53	OR56.8x1.78
3"	88.9X5.5	348/88.9X5.5FA	14017510	3.6	48/88.9X5.5FA	OR85.32x3.53	OR79x1.78
3"	88.9X7.7	348/88.9X7.7FA	14017520	3.6	48/88.9X7.7FA	OR85.32x3.53	OR72.75x1.78

Part code does not include bolts
Material possibilities page 17

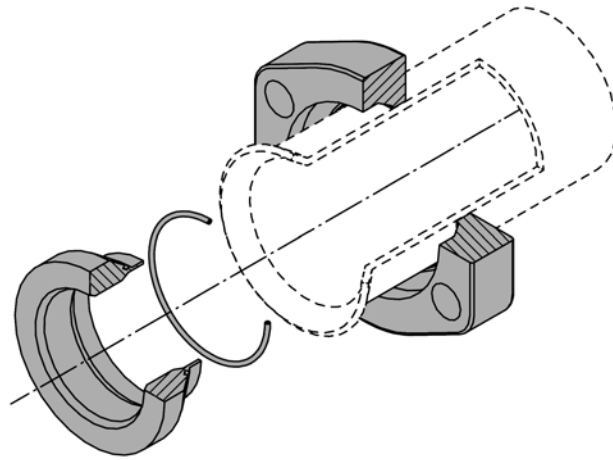
Flanges page 60
Inserts page 89
O-Rings page 93-94

SAE 3000 PSI**Flare Flange Connection – Type B****SAE J 518 Code 61****Metric**

Size	Pipe Size	Complete Part No	Complete ID Code	C	Weight	Insert Part No	O-Ring2 Part No	Sleeve Part No
1/2"	16x2.0	308/16X2.0FB	14015001	10	0.22	08/16X2.0FB	OR12x1.0	08/16F
1/2"	18x2.0	308/18X2.0FB	14015011	11	0.21	08/18X2.0FB	OR14x1.0	08/18F
1/2"	20x2.0	308/20X2.0FB	14015021	9	0.22	08/20X2.0FB	OR16x1.0	08/20F
1/2"	25x2.5	308/25X2.5FB	14015031	9	0.22	08/25X2.5FB	OR20x1.0	None
1/2"	25x3.0	308/25X3.0FB	14015036	9	0.22	08/25X3.0FB	OR20x1.0	None
3/4"	20x2.0	312/20X2.0FB	14015051	12	0.36	12/20X2.0FB	OR16x1.0	12/20F
3/4"	20x2.5	312/20X2.5FB	14015055	12	0.31	12/20X2.5FB	OR15x1.0	12/20F
3/4"	25x2.5	312/25X2.5FB	14015062	9	0.34	12/25X2.5FB	OR20x1.0	12/25F
3/4"	25x3.0	312/25X3.0FB	14015067	10	0.34	12/25X3.0FB	OR20x1.0	12/25F
3/4"	30x3.0	312/30X3.0FB	14015076	9	0.31	12/30X3.0FB	OR23x1.0	None
1"	25x2.5	316/25X2.5FB	14015091	9	0.46	16/25X2.5FB	OR20x1.0	16/25F
1"	25x3.0	316/25X3.0FB	14015096	9	0.46	16/25X3.0FB	OR20x1.0	16/25F
1"	30x3.0	316/30X3.0FB	14015101	7	0.43	16/30X3.0FB	OR23x1.0	16/30F
1"	30x4.0	316/30X4.0FB	14015106	7	0.43	16/30X4.0FB	OR22x1.0	16/30F
1"	38x4.0	316/38X4.0FB	14015111	10	0.37	16/38X4.0FB	OR30x1.0	None
1 1/4"	30x3.0	320/30X3.0FB	14015121	10	0.61	20/30X3.0FB	OR23x1.0	20/30F
1 1/4"	30x4.0	320/30X4.0FB	1401512304	10	0.50	20/30X4.0FB	OR22x1.0	20/30F
1 1/4"	38x4.0	320/38X4.0FB	14015126	9	0.56	20/38X4.0FB	OR30x1.0	20/38F
1 1/4"	38x5.0	320/38X5.0FB	14015131	9	0.53	20/38X5.0FB	OR28x1.0	20/38F
1 1/4"	42x4.0	320/42X4.0FB	14015136	11	0.51	20/42X4.0FB	OR34x1.0	None
1 1/2"	30x3.0	324/30X3.0FB	14015142	14	0.91	24/30X3.0FB	OR23x1.0	24/30F
1 1/2"	38x4.0	324/38X4.0FB	14015146	13	1.02	24/38X4.0FB	OR30x1.0	24/38F
1 1/2"	42x4.0	324/42X4.0FB	14015151	13	0.97	24/42X4.0FB	OR34x1.0	24/42F
1 1/2"	50x5.0	324/50X5.0FB	140151601	11	0.86	24/50X5.0FB	OR41x1.78	None
2"	50x5.0	332/50X5.0FB	140151570	11	1.41	32/50X5.0FB	OR41x1.78	32/50F
2"	60x5.0	332/60X5.0FB	140151611	11	1.23	32/60X5.0FB	OR50.52x1.78	None
2"	60x6.0	332/60X6.0FB	14015166	11	1.23	32/60X6.0FB	OR47.37x1.78	None
2 1/2"	60x5.0	340/60X5.0FB	140151781	12	2.11	40/60X5.0FB	OR50.52x1.78	40/60F
2 1/2"	72x7.0	340/72X7.0FB	1401517924	12	1.90	40/72X7.0FB	OR56.87x1.78	None
2 1/2"	75x5.0	340/75X5.0FB	14015181	13	1.95	40/75X5.0FB	OR63.22x1.78	None
3"	75x5.0	348/75X5.0FB	14015192	16	3.57	48/75X5.0FB	OR63.22x1.78	48/75F
3"	90x5.0	348/90X5.0FB	14015199	14	3.07	48/90X5.0FB	OR79x1.78	None

Part code does not include bolts
Material possibilities page 17

Flanges page 60
Inserts page 88
Sleeves page 96
O-Rings page 94



ANSI 36.19

Size	Pipe Size	Complete Part No	Complete ID Code	Weight (kg)	Insert	O-Ring 2
1/2"	21.3X3.7	308/21.3X3.7FB	14017212	0.2	08/21.3X3.7FB	OR14x1.0
1/2"	21.3X4.8	308/21.3X4.8FB	14017222	0.2	08/21.3X4.8FB	OR12x1.0
1/2"	19.05X2.11	308/19.05X2.11FB	14017232	0.2	08/19.05X2.11FB	OR14x1.0
1/2"	19.05X2.41	308/19.05X2.41FB	14017242	0.2	08/19.05X2.41FB	OR14x1.0
1/2"	19.05X2.77	308/19.05X2.77FB	14017252	0.2	08/19.05X2.77FB	OR14x1.0
3/4"	26.7X3.9	312/26.7X3.9FB	14017262	0.3	12/26.7X3.9FB	OR20x1.0
3/4"	26.7X5.6	312/26.7X5.6FB	14017272	0.3	12/26.7X5.6FB	OR16x1.0
3/4"	25.4X2.11	312/25.4X2.11FB	14017282	0.3	12/25.4X2.11FB	OR20X1.0
3/4"	25.4X2.77	312/25.4X2.77FB	14017292	0.3	12/25.4X2.77FB	OR20X1.0
3/4"	25.4X3.05	312/25.4X3.05FB	14017302	0.3	12/25.4X3.05FB	OR20X1.0
1"	33.4X3.4	316/33.4X3.4FB	14017312	0.5	16/33.4X3.4FB	OR28X1.0
1"	33.4X4.6	316/33.4X4.6FB	14017322	0.5	16/33.4X4.6FB	OR23x1.0
1"	33.4X6.4	316/33.4X6.4FB	14017332	0.5	16/33.4X6.4FB	OR21x1.0
1"	31.75X2.77	316/31.75X2.77FB	14017342	0.5	16/31.75X2.77FB	OR25X1.0
1"	31.75X3.05	316/31.75X3.05FB	14017352	0.5	16/31.75X3.05FB	OR25X1.0
1"	31.75X3.40	316/31.75X3.40FB	14017362	0.5	16/31.75X3.40FB	OR23X1.0
1 1/4"	38.1X3.40	320/38.1X3.40FB	14017372	0.6	20/38.1X3.40FB	OR30X1.0
1 1/4"	38.1X3.96	320/38.1X3.96FB	14017382	0.6	20/38.1X3.96FB	OR30X1.0
1 1/4"	38.1X4.78	320/38.1X4.78FB	14017392	0.6	20/38.1X4.78FB	OR28X1.0
1 1/4"	42.2X3.6	320/42.2X3.6FB	14017402	0.6	20/42.2X3.6FB	OR34X1.0
1 1/4"	42.2X4.9	320/42.2X4.9FB	14017412	0.6	20/42.2X4.9FB	OR32x1.0
1 1/4"	42.2X6.4	320/42.2X6.4FB	14017422	0.6	20/42.2X6.4FB	OR30x1.0
1 1/2"	50.8X3.96	324/50.8X3.96FB	14017432	0.9	24/50.8X3.96FB	OR41X1.78
1 1/2"	50.8X4.78	324/50.8X4.78FB	14017442	0.9	24/50.8X4.78FB	OR41X1.78
1 1/2"	48.3X3.7	324/48.3X3.7FB	14017452	0.9	24/48.3X3.7FB	OR41X1.78
1 1/2"	48.3X5.1	324/48.3X5.1FB	14017462	0.9	24/48.3X5.1FB	OR37.82x1.78
2"	60.3X3.9	332/60.3X3.9FB	14017472	1.4	32/60.3X3.9FB	OR53.67x1.78
2"	60.3X5.5	332/60.3X5.5FB	14017482	1.4	32/60.3X5.5FB	OR50.52x1.78
2 1/2"	73X5.2	340/73X5.2FB	14017492	2.1	40/73X5.2FB	OR63.22x1.78
2 1/2"	73X7.0	340/73X7.0FB	14017502	2.1	40/73X7.0FB	OR56.8x1.78
3"	88.9X5.5	348/88.9X5.5FB	14017512	3.6	48/88.9X5.5FB	OR79x1.78
3"	88.9X7.7	348/88.9X7.7FB	14017522	3.6	48/88.9X7.7FB	OR72.75x1.78

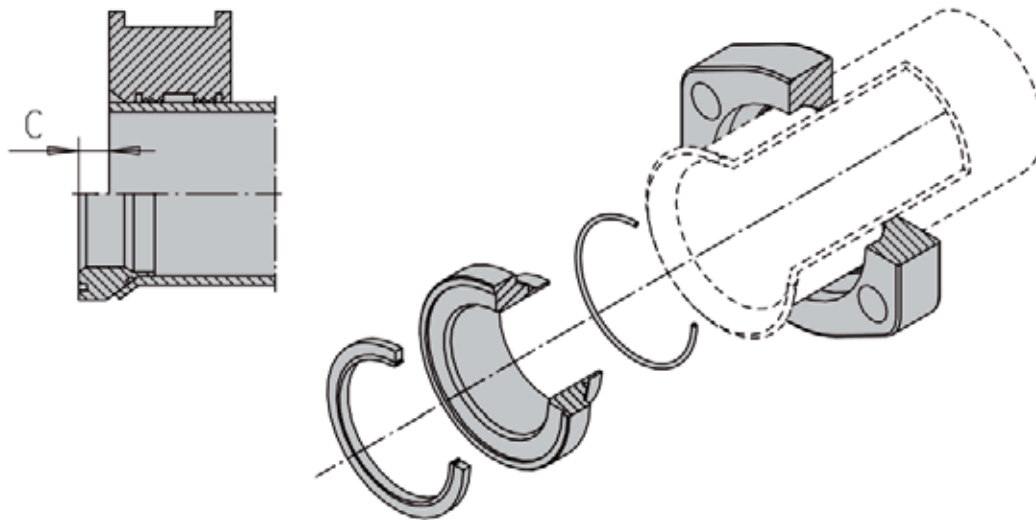
Part code does not include bolts
Material possibilities page 17

Flanges page 60
Inserts page 89
O-Rings page 95

SAE 3000 PSI

Flare Flange Connection – Type C

SAE J 518 Code 61

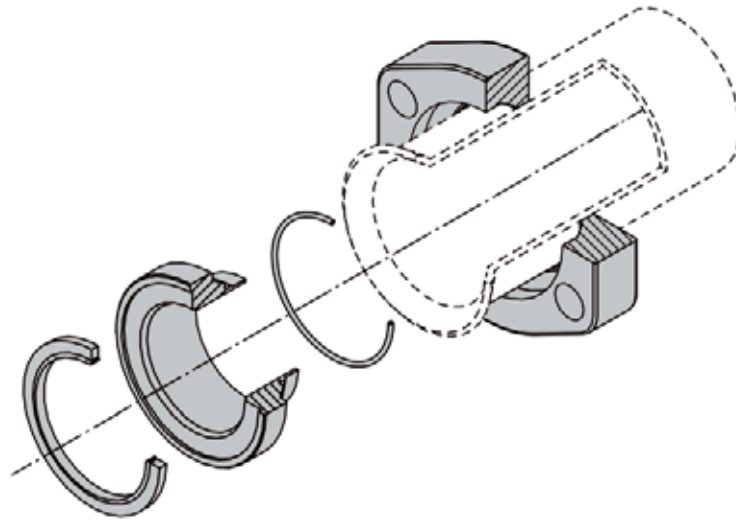


Metric

Size	Pipe Size	Complete Part No	Complete ID Code	C	Weight	Insert Part No	O-Ring2 Part No	Seal Part No	Sleeve Part No
1/2"	16x2.0	308/16X2.0FC	14015002	10	0.22	08/16X2.0FC	OR12x1.0	0823	08/16F
1/2"	18x2.0	308/18X2.0FC	14015012	11	0.21	08/18X2.0FC	OR14x1.0	0823	08/18F
1/2"	20x2.0	308/20X2.0FC	14015022	9	0.22	08/20X2.0FC	OR16x1.0	0823	08/20F
1/2"	25x2.5	308/25X2.5FC	14015032	9	0.22	08/25X2.5FC	OR20x1.0	0823	None
1/2"	25x3.0	308/25X3.0FC	14015037	9	0.22	08/25X3.0FC	OR20x1.0	0823	None
3/4"	20x2.0	312/20X2.0FC	14015052	12	0.36	12/20X2.0FC	OR16x1.0	1213	12/20F
3/4"	20x2.5	312/20X2.5FC	14015057	12	0.31	12/20X2.5FC	OR15x1.0	1213	12/20F
3/4"	25x2.5	312/25X2.5FC	14015063	9	0.34	12/25X2.5FC	OR20x1.0	1213	12/25F
3/4"	25x3.0	312/25X3.0FC	14015068	10	0.34	12/25X3.0FC	OR20x1.0	1213	12/25F
3/4"	30x3.0	312/30X3.0FC	14015077	9	0.31	12/30X3.0FC	OR23x1.0	1213	None
1"	25x2.5	316/25X2.5FC	14015092	9	0.46	16/25X2.5FC	OR20x1.0	1629	16/25F
1"	25x3.0	316/25X3.0FC	14015097	9	0.46	16/25X3.0FC	OR20x1.0	1629	16/25F
1"	30x3.0	316/30X3.0FC	14015102	7	0.43	16/30X3.0FC	OR23x1.0	1629	16/30F
1"	30x4.0	316/30X4.0FC	14015107	7	0.43	16/30X4.0FC	OR22x1.0	1629	16/30F
1"	38x4.0	316/38X4.0FC	14015112	10	0.37	16/38X4.0FC	OR30x1.0	1629	None
1 1/4"	30x3.0	320/30X3.0FC	14015122	10	0.61	20/30X3.0FC	OR23x1.0	2030	20/30F
1 1/4"	30x4.0	320/30X4.0FC	1401512306	10	0.50	20/30X4.0FC	OR22x1.0	2030	20/30F
1 1/4"	38x4.0	320/38X4.0FC	14015127	9	0.56	20/38X4.0FC	OR30x1.0	2030	20/38F
1 1/4"	38x5.0	320/38X5.0FC	14015132	9	0.53	20/38X5.0FC	OR28x1.0	2030	20/38F
1 1/4"	42x4.0	320/42X4.0FC	14015137	11	0.51	20/42X4.0FC	OR34x1.0	2030	None
1 1/2"	30x3.0	324/30X3.0FC	14015143	14	0.91	24/30X3.0FC	OR23x1.0	2432	24/30F
1 1/2"	38x4.0	324/38X4.0FC	14015147	13	1.02	24/38X4.0FC	OR30x1.0	2432	24/38F
1 1/2"	42x4.0	324/42X4.0FC	14015152	13	0.97	24/42X4.0FC	OR34x1.0	2432	24/42F
1 1/2"	50x5.0	324/50X5.0FC	140151602	11	0.86	24/50X5.0FC	OR41x1.78	2432	None
2"	50x5.0	332/50X5.0FC	14015172	11	1.41	32/50X5.0FC	OR41x1.78	3219	32/50F
2"	60x5.0	332/60X5.0FC	140151612	11	1.23	32/60X5.0FC	OR50.52x1.78	3219	None
2"	60x6.0	332/60X6.0FC	14015167	11	1.23	32/60X6.0FC	OR47.37x1.78	3219	None
2 1/2"	60x5.0	340/60X5.0FC	14015179	12	2.11	40/60X5.0FC	OR50.52x1.78	4037	40/60F
2 1/2"	72x7.0	340/72X7.0FC	1401517926	12	1.90	40/72X7.0FC	OR56.87x1.78	4037	None
2 1/2"	75x5.0	340/75X5.0FC	14015182	13	1.95	40/75X5.0FC	OR63.22x1.78	4037	None
3"	75x5.0	348/75X5.0FC	14015193	16	3.57	48/75X5.0FC	OR63.22x1.78	4839	48/75F
3"	90x5.0	348/90X5.0FC	14015200	14	3.07	48/90X5.0FC	OR79x1.78	4839	None

Part code does not include bolts
Material possibilities page 17

Flanges page 60
Inserts page 88
Sleeves page 96
O-Rings page 94
Bonded Seals page 92

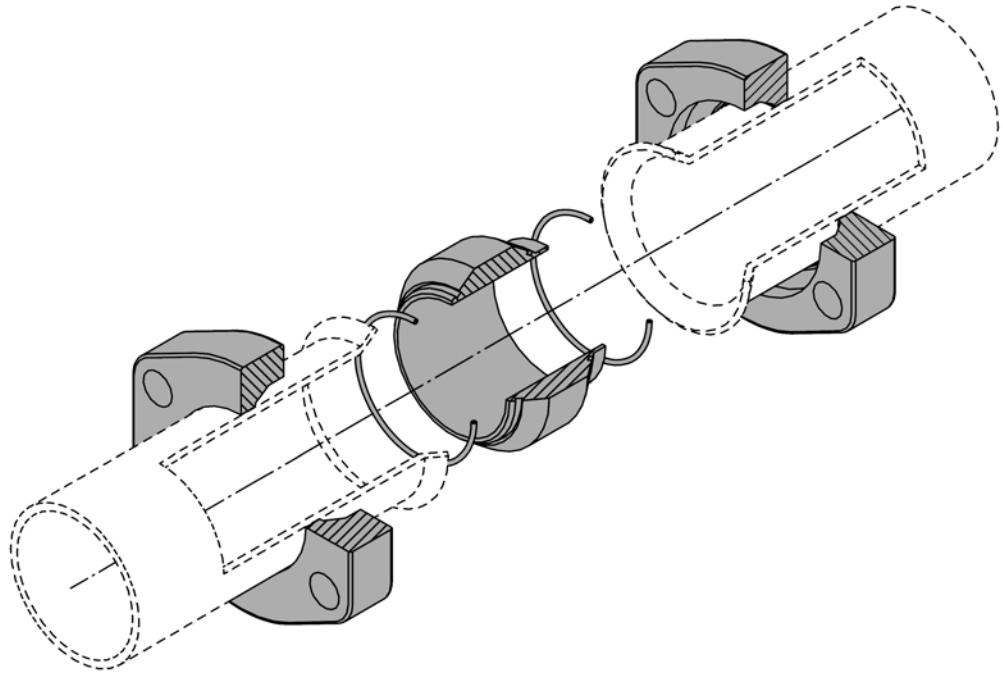


ANSI 36.19 (with Metric Bonded seal)

Size	Pipe Size	Complete Part No	Complete ID Code	Weight (kg)	Insert	O-Ring 2	Seal
1/2"	21.3X3.7	308/21.3X3.7FC	14017214	0.2	08/21.3X3.7FC	OR14x1.0	0823
1/2"	21.3X4.8	308/21.3X4.8FC	14017224	0.2	08/21.3X4.8FC	OR12x1.0	0823
1/2"	19.05X2.11	308/19.05X2.11FC	14017234	0.2	08/19.05X2.11FC	OR14x1.0	0823
1/2"	19.05X2.41	308/19.05X2.41FC	14017244	0.2	08/19.05X2.41FC	OR14x1.0	0823
1/2"	19.05X2.77	308/19.05X2.77FC	14017254	0.2	08/19.05X2.77FC	OR14x1.0	0823
3/4"	26.7X3.9	312/26.7X3.9FC	14017264	0.3	12/26.7X3.9FC	OR20x1.0	1213
3/4"	26.7X5.6	312/26.7X5.6FC	14017274	0.3	12/26.7X5.6FC	OR16x1.0	1213
3/4"	25.4X2.11	312/25.4X2.11FC	14017284	0.3	12/25.4X2.11FC	OR20X1.0	1213
3/4"	25.4X2.77	312/25.4X2.77FC	14017294	0.3	12/25.4X2.77FC	OR20X1.0	1213
3/4"	25.4X3.05	312/25.4X3.05FC	14017304	0.3	12/25.4X3.05FC	OR20X1.0	1213
1"	33.4X3.4	316/33.4X3.4FC	14017314	0.5	16/33.4X3.4FC	OR28X1.0	1629
1"	33.4X4.6	316/33.4X4.6FC	14017324	0.5	16/33.4X4.6FC	OR23x1.0	1629
1"	33.4X6.4	316/33.4X6.4FC	14017334	0.5	16/33.4X6.4FC	OR21x1.0	1629
1"	31.75X2.77	316/31.75X2.77FC	14017344	0.5	16/31.75X2.77FC	OR25X1.0	1629
1"	31.75X3.05	316/31.75X3.05FC	14017354	0.5	16/31.75X3.05FC	OR25X1.0	1629
1"	31.75X3.40	316/31.75X3.40FC	14017364	0.5	16/31.75X3.40FC	OR23X1.0	1629
1 1/4"	38.1X3.40	320/38.1X3.40FC	14017374	0.6	20/38.1X3.40FC	OR30X1.0	2030
1 1/4"	38.1X3.96	320/38.1X3.96FC	14017384	0.6	20/38.1X3.96FC	OR30X1.0	2030
1 1/4"	38.1X4.78	320/38.1X4.78FC	14017394	0.6	20/38.1X4.78FC	OR28X1.0	2030
1 1/4"	42.2X3.6	320/42.2X3.6FC	14017404	0.6	20/42.2X3.6FC	OR34X1.0	2030
1 1/4"	42.2X4.9	320/42.2X4.9FC	14017414	0.6	20/42.2X4.9FC	OR32x1.0	2030
1 1/4"	42.2X6.4	320/42.2X6.4FC	14017424	0.6	20/42.2X6.4FC	OR30x1.0	2030
1 1/2"	50.8X3.96	324/50.8X3.96FC	14017434	0.9	24/50.8X3.96FC	OR41X1.78	2432
1 1/2"	50.8X4.78	324/50.8X4.78FC	14017444	0.9	24/50.8X4.78FC	OR41X1.78	2432
1 1/2"	48.3X3.7	324/48.3X3.7FC	14017454	0.9	24/48.3X3.7FC	OR41X1.78	2432
1 1/2"	48.3X5.1	324/48.3X5.1FC	14017464	0.9	24/48.3X5.1FC	OR37.82x1.78	2432
2"	60.3X3.9	332/60.3X3.9FC	14017474	1.4	32/60.3X3.9FC	OR53.67x1.78	3219
2"	60.3X5.5	332/60.3X5.5FC	14017484	1.4	32/60.3X5.5FC	OR50.52x1.78	3219
2 1/2"	73X5.2	340/73X5.2FC	14017494	2.1	40/73X5.2FC	OR63.22x1.78	4037
2 1/2"	73X7.0	340/73X7.0FC	14017504	2.1	40/73X7.0FC	OR56.8x1.78	4037
3"	88.9X5.5	348/88.9X5.5FC	14017514	3.6	48/88.9X5.5FC	OR79x1.78	4839
3"	88.9X7.7	348/88.9X7.7FC	14017524	3.6	48/88.9X7.7FC	OR72.75x1.78	4839

Part code does not include bolts
 Material possibilities page 17
 By request with ANSI 36.19 bonded seal.

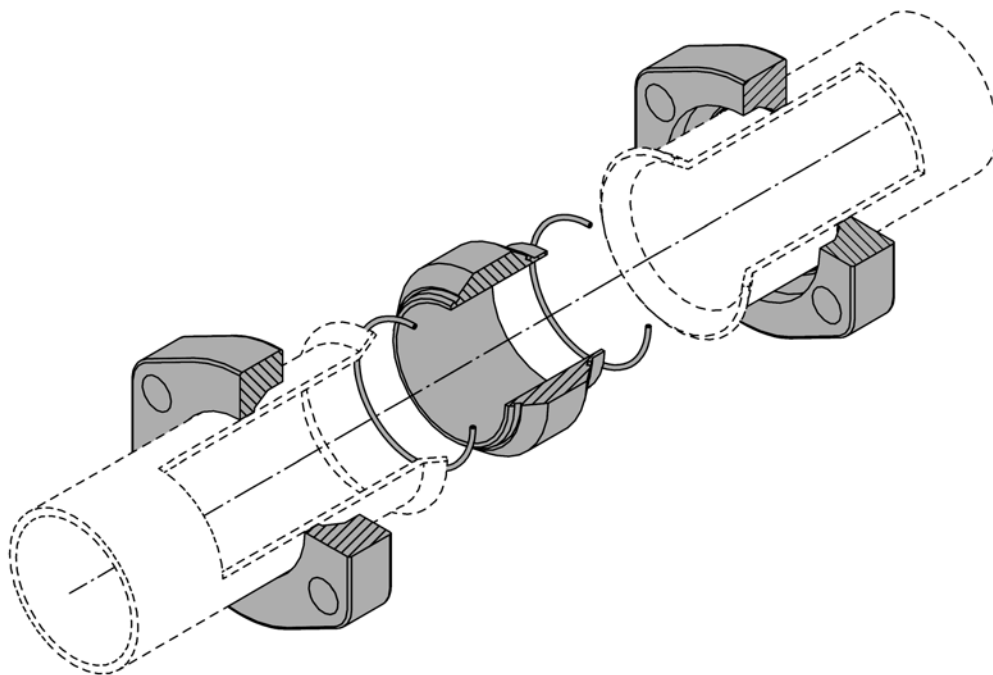
Flanges page 60
 Inserts page 89
 O-Rings page 95
 Bonded Seals page 92

SAE 3000 PSI**Flare Flange Connection – Type D****SAE J 518 Code 61****Metric**

Size	Pipe Size	Complete Part No	Complete ID Code	Weight	Insert Part No	O-Ring2 Part No	Sleeve Part No
1/2"	16x2.0	308/16X2.0FD	14015003	0.26	08/16X2.0FD	OR12x1.0	08/16F
1/2"	18x2.0	308/18X2.0FD	14015013	0.27	08/18X2.0FD	OR14x1.0	08/18F
1/2"	20x2.0	308/20X2.0FD	14015023	0.26	08/20X2.0FD	OR16x1.0	08/20F
1/2"	25x2.5	308/25X2.5FD	14015033	0.26	08/25X2.5FD	OR20x1.0	None
1/2"	25x3.0	308/25X3.0FD	14015038	0.25	08/25X3.0FD	OR20x1.0	None
3/4"	20x2.0	312/20X2.0FD	14015053	0.39	12/20X2.0FD	OR16x1.0	12/20F
3/4"	20x2.5	312/20X2.5FD	14015059	0.38	12/20X2.5FD	OR15x1.0	12/20F
3/4"	25x2.5	312/25X2.5FD	14015064	0.36	12/25X2.5FD	OR20x1.0	12/25F
3/4"	25x3.0	312/25X3.0FD	14015069	0.37	12/25X3.0FD	OR20x1.0	12/25F
3/4"	30x3.0	312/30X3.0FD	14015078	0.39	12/30X3.0FD	OR23x1.0	None
1"	25x2.5	316/25X2.5FD	14015093	0.57	16/25X2.5FD	OR20x1.0	16/25F
1"	25x3.0	316/25X3.0FD	14015098	0.57	16/25X3.0FD	OR20x1.0	16/25F
1"	30x3.0	316/30X3.0FD	14015103	0.51	16/30X3.0FD	OR23x1.0	16/30F
1"	30x4.0	316/30X4.0FD	14015108	0.52	16/30X4.0FD	OR22x1.0	16/30F
1"	38x4.0	316/38X4.0FD	14015113	0.45	16/38X4.0FD	OR30x1.0	None
1 1/4"	30x3.0	320/30X3.0FD	14015123	0.76	20/30X3.0FD	OR23x1.0	20/30F
1 1/4"	30x4.0	320/30X4.0FD	1401512308	0.60	20/30X4.0FD	OR22x1.0	20/30F
1 1/4"	38x4.0	320/38X4.0FD	14015128	0.66	20/38X4.0FD	OR30x1.0	20/38F
1 1/4"	38x5.0	320/38X5.0FD	14015133	0.65	20/38X5.0FD	OR28x1.0	20/38F
1 1/4"	42x4.0	320/42X4.0FD	14015138	0.64	20/42X4.0FD	OR34x1.0	None
1 1/2"	30x3.0	324/30X3.0FD	14015144	1.19	24/30X3.0FD	OR23x1.0	24/30F
1 1/2"	38x4.0	324/38X4.0FD	14015148	1.27	24/38X4.0FD	OR30x1.0	24/38F
1 1/2"	42x4.0	324/42X4.0FD	14015153	1.19	24/42X4.0FD	OR34x1.0	24/42F
1 1/2"	50x5.0	324/50X5.0FD	140151603	1.03	24/50X5.0FD	OR41x1.78	None
2"	50x5.0	332/50X5.0FD	14015173	1.66	32/50X5.0FD	OR41x1.78	32/50F
2"	60x5.0	332/60X5.0FD	140151613	1.46	32/60X5.0FD	OR50.52x1.78	None
2"	60x6.0	332/60X6.0FD	14015168	1.46	32/60X6.0FD	OR47.37x1.78	None
2 1/2"	60x5.0	340/60X5.0FD	140151791	2.75	40/60X5.0FD	OR50.52x1.78	40/60F
2 1/2"	72x7.0	340/72X7.0FD	1401517928	2.14	40/72X7.0FD	OR56.87x1.78	None
2 1/2"	75x5.0	340/75X5.0FD	14015183	2.25	40/75X5.0FD	OR63.22x1.78	None
3"	75x5.0	348/75X5.0FD	14015194	4.32	48/75X5.0FD	OR63.22x1.78	48/75F
3"	90x5.0	348/90X5.0FD	14015201	3.58	48/90X5.0FD	OR79x1.78	None

Part code does not include bolts
Material possibilities page 17

Flanges page 60
Inserts page 88
Sleeves page 96
O-Rings page 94

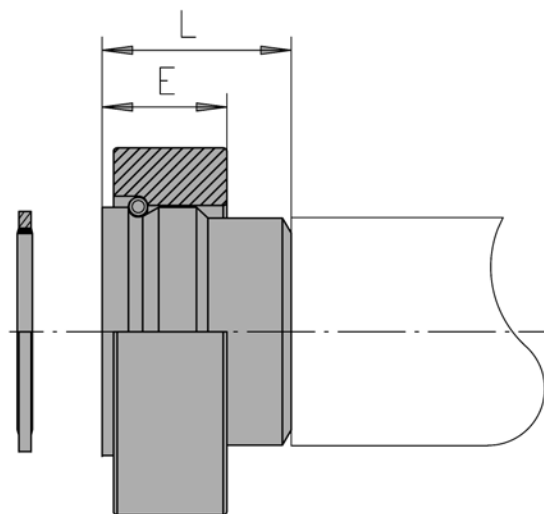
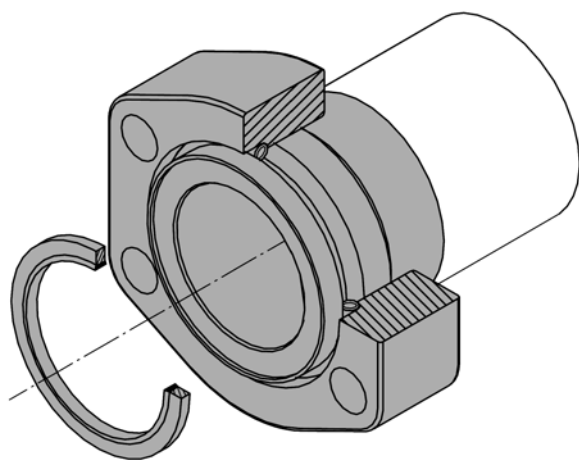


ANSI 36.19

Size	Pipe Size	Complete Part No	Complete ID Code	Weight (kg)	Insert	O-Ring 2
1/2"	21.3X3.7	308/21.3X3.7FD	14017216	0.3	08/21.3X3.7FD	OR14x1.0
1/2"	21.3X4.8	308/21.3X4.8FD	14017226	0.3	08/21.3X4.8FD	OR12x1.0
1/2"	19.05X2.11	308/19.05X2.11FD	14017236	0.3	08/19.05X2.11FD	OR14x1.0
1/2"	19.05X2.41	308/19.05X2.41FD	14017246	0.3	08/19.05X2.41FD	OR14x1.0
1/2"	19.05X2.77	308/19.05X2.77FD	14017256	0.3	08/19.05X2.77FD	OR14x1.0
3/4"	26.7X3.9	312/26.7X3.9FD	14017266	0.4	12/26.7X3.9FD	OR20x1.0
3/4"	26.7X5.6	312/26.7X5.6FD	14017276	0.4	12/26.7X5.6FD	OR16x1.0
3/4"	25.4X2.11	312/25.4X2.11FD	14017286	0.4	12/25.4X2.11FD	OR20x1.0
3/4"	25.4X2.77	312/25.4X2.77FD	14017296	0.4	12/25.4X2.77FD	OR20x1.0
3/4"	25.4X3.05	312/25.4X3.05FD	14017306	0.4	12/25.4X3.05FD	OR20x1.0
1"	33.4X3.4	316/33.4X3.4FD	14017316	0.6	16/33.4X3.4FD	OR28x1.0
1"	33.4X4.6	316/33.4X4.6FD	14017326	0.6	16/33.4X4.6FD	OR23x1.0
1"	33.4X6.4	316/33.4X6.4FD	14017336	0.6	16/33.4X6.4FD	OR21x1.0
1"	31.75X2.77	316/31.75X2.77FD	14017346	0.6	16/31.75X2.77FD	OR25x1.0
1"	31.75X3.05	316/31.75X3.05FD	14017356	0.6	16/31.75X3.05FD	OR25x1.0
1"	31.75X3.40	316/31.75X3.40FD	14017366	0.6	16/31.75X3.40FD	OR23x1.0
1 1/4"	38.1X3.40	320/38.1X3.40FD	14017376	0.7	20/38.1X3.40FD	OR30x1.0
1 1/4"	38.1X3.96	320/38.1X3.96FD	14017386	0.7	20/38.1X3.96FD	OR30x1.0
1 1/4"	38.1X4.78	320/38.1X4.78FD	14017396	0.7	20/38.1X4.78FD	OR28x1.0
1 1/4"	42.2X3.6	320/42.2X3.6FD	14017406	0.7	20/42.2X3.6FD	OR34x1.0
1 1/4"	42.2X4.9	320/42.2X4.9FD	14017416	0.7	20/42.2X4.9FD	OR32x1.0
1 1/4"	42.2X6.4	320/42.2X6.4FD	14017426	0.7	20/42.2X6.4FD	OR30x1.0
1 1/2"	50.8X3.96	324/50.8X3.96FD	14017436	1.2	24/50.8X3.96FD	OR41x1.78
1 1/2"	50.8X4.78	324/50.8X4.78FD	14017446	1.2	24/50.8X4.78FD	OR41x1.78
1 1/2"	48.3X3.7	324/48.3X3.7FD	14017456	1.2	24/48.3X3.7FD	OR41x1.78
1 1/2"	48.3X5.1	324/48.3X5.1FD	14017466	1.2	24/48.3X5.1FD	OR37.82x1.78
2"	60.3X3.9	332/60.3X3.9FD	14017476	1.7	32/60.3X3.9FD	OR53.67x1.78
2"	60.3X5.5	332/60.3X5.5FD	14017486	1.7	32/60.3X5.5FD	OR50.52x1.78
2 1/2"	73X5.2	340/73X5.2FD	14017496	2.8	40/73X5.2FD	OR63.22x1.78
2 1/2"	73X7.0	340/73X7.0FD	14017506	2.8	40/73X7.0FD	OR56.8x1.78
3"	88.9X5.5	348/88.9X5.5FD	14017516	4.3	48/88.9X5.5FD	OR79x1.78
3"	88.9X7.7	348/88.9X7.7FD	14017526	4.3	48/88.9X7.7FD	OR72.75x1.78

Part code does not include bolts
Material possibilities page 17

Flanges page 60
Inserts page 89
O-Rings page 95

SAE 3000 PSI**Flange for Welding (1/2" – 1")****SAE J 518 Code 61****Metric**

Size	Complete Part No	Complete ID Code	Pipe Size	L	E	Weight	Body Part No	Body ID Code
1/2"	308001	13015001	12.0x1.5	40	23	0.26	08001	13010001
1/2"	308002	13015004	16.0x2.0	40	23	0.25	08002	13010007
1/2"	308003	13015007	18.0x2.0	40	23	0.25	08003	13010013
1/2"	308004	13015010	20.0x2.5	40	23	0.26	08004	13010019
1/2"	308005	13015013	25.0x2.5	40	23	0.26	08005	13010025
1/2"	308009	13015025	21.3x3.7	40	23	0.26	08009	16010031
1/2"	308011	13015031	26.0x6.0	45	23	0.30	08011	13010037
1/2"	308082	130150325	21.3x2.1	40	23	0.27	08082	13010048
1/2"	308083	13015033	21.3x2.8	40	23	0.27	08083	13010049
1/2"	308085	13015034	21.3x4.8	40	23	0.28	08085	13010055
1/2"	308086	13015035	21.3x7.5	45	23	0.30	08086	13010061
3/4"	312001	13015046	20.0x2.5	40	23	0.37	12001	13010067
3/4"	312002	13015049	25.0x3.0	40	23	0.36	12002	13010068
3/4"	312003	13015052	30.0x4.0	40	23	0.37	12003	13010079
3/4"	312004	13015055	30.0x6.0	40	23	0.39	12004	13010091
3/4"	312005	13015057	30.0x3.0	40	23	0.36	12005	13010092
3/4"	312009	13015067	26.7x3.9	45	23	0.37	12009	13010007
3/4"	312011	13015073	36.0x8.0	40	23	0.43	12011	13010088
3/4"	312082	13015077	26.7x2.1	40	23	0.49	12082	13010108
3/4"	312083	13015078	26.7x2.8	40	23	0.50	12083	13010113
3/4"	312085	13015080	26.7x5.6	40	23	0.52	12085	13010119
3/4"	312086	13015081	26.7x7.8	45	23	0.52	12086	13010125
1"	316001	13015088	25.0x3.0	40	22	0.46	16001	13010161
1"	316002	13015091	30.0x4.0	40	22	0.45	16002	13010167
1"	316003	13015094	38.0x5.0	40	22	0.47	16003	13010173
1"	316004	13015097	38.0x7.0	40	22	0.47	16004	13010179
1"	316005	13015100	38.0x4.0	40	22	0.47	16005	13010185
1"	316009	13015111	33.4x4.6	40	22	0.45	16009	13010191
1"	316011	13015117	39.0x7.5	50	22	0.53	16011	13010197
1"	316082	13015120	33.4x2.8	40	22	0.44	16082	13010215
1"	316083	13015121	33.4x3.4	40	22	0.45	16083	13010221
1"	316085	13015123	33.4x6.5	50	22	0.45	16085	13010227
1"	316086	13015124	33.4x9.1	50	22	0.52	16086	13010233

Body material: St 52
 Other materials by request, for example Stainless Steel,
 SMO, Duplex, Titanium and Superduplex.
 Part code does not include bolts
 Material possibilities page 18

Flanges page 59
 Retain Rings page 91
 Bonded Seals page 92

SAE J 518 Code 61

Flange for Welding (1 1/4" – 3")

Metric

Size	Complete Part No	Complete ID Code	Pipe Size	L	E	Weight	Body Part No	Body ID Code
1 1/4"	320001	13015132	30.0x4.0	40	23	0.66	20001	13010251
1 1/4"	320002	13015135	38.0x5.0	40	23	0.63	20002	13010257
1 1/4"	320003	13015138	42.0x6.0	40	23	0.62	20003	13010263
1 1/4"	320004	13015141	46.0x7.0	50	23	0.72	20004	13010269
1 1/4"	320005	13015144	42.0x4.0	40	23	0.60	20005	13010275
1 1/4"	320009	13015156	42.2x4.9	40	23	0.62	20009	13010281
1 1/4"	320011	13015162	46.0x8.0	55	23	0.75	20011	13010287
1 1/4"	320082	13015165	42.2x2.7	40	23	0.66	20082	13010305
1 1/4"	320083	13015166	42.2x3.6	40	23	0.72	20083	13010311
1 1/4"	320085	13015168	42.2x6.4	50	23	0.65	20085	13010317
1 1/4"	320086	13015169	42.2x9.7	50	23	0.80	20086	13010329
1 1/2"	324001	13015177	38.0x5.0	45	28	1.08	24001	13010341
1 1/2"	324002	13015180	50.0x6.0	45	28	1.01	24002	13010347
1 1/2"	324003	13015183	50.0x9.0	45	28	1.10	24003	13010353
1 1/2"	324005	13015189	50.0x5.0	45	28	1.00	24005	13010359
1 1/2"	324009	13015201	48.3x5.1	45	28	0.99	24009	13010365
1 1/2"	324011	13015207	56.0x8.5	60	28	1.18	24011	13010371
1 1/2"	324082	13015210	48.3x2.8	45	28	1.19	24082	13010383
1 1/2"	324083	13015211	48.3x3.7	45	28	1.09	24083	13010395
1 1/2"	324085	13015213	48.3x7.1	60	28	1.22	24085	13010401
1 1/2"	324086	13015214	48.3x10.2	60	28	1.23	24086	13010407
2"	332001	13015219	50.0x9.0	50	33	1.62	32001	13010419
2"	332002	13015222	60.0x6.0	50	33	1.43	32002	13010425
2"	332003	13015225	60.0x8.0	50	33	1.53	32003	13010431
2"	332005	13015231	60.0x5.0	50	33	1.42	32005	13010443
2"	332008	13015240	48.3x5.6	50	33	1.54	32008	13010449
2"	332009	13015243	60.0x10.0	50	33	1.60	32009	13010455
2"	332011	13015249	66.0x8.5	75	33	1.78	32011	13010467
2"	332082	13015255	60.3x2.8	50	33	1.40	32082	13010488
2"	332083	13015256	60.3x3.9	50	33	1.45	32083	13010456
2"	332084	13015257	60.3x5.5	50	33	1.50	32084	13010462
2"	332085	13015258	60.3x8.7	75	33	1.65	32085	13010468
2"	332086	13015289	60.3x11.1	75	33	1.65	32086	13010474
2 1/2"	340003	1301526010	65.0x8.5	50	43	2.44	40003	13010486
2 1/2"	340005	1301526012	75.0x5.0	50	43	2.22	40005	13010497
2 1/2"	340006	1301526013	76.1x6.3	50	43	2.24	40006	13010498
2 1/2"	340007	1301526014	76.1x12.5	50	43	2.48	40007	13010504
2 1/2"	340010	1301526017	73.0x7.0	50	43	2.25	40010	13010516
2 1/2"	340011	1301526018	80.0x10.0	90	43	2.96	40011	13010522
3"	348003	1301526033	90.0x5.0	60	56	4.23	48003	13010540
3"	348004	1301526034	76.1x12.5	60	56	3.68	48004	13010546
3"	348005	1301526035	80.0x10.0	60	56	3.89	48005	13010552
3"	348006	1301526036	88.9x8.8	60	56	3.76	48006	13010558
3"	348007	1301526037	88.9x12.5	60	56	3.89	48007	13010564
3"	348010	1301526040	88.9x7.6	60	56	3.51	48010	13010570
3"	348011	1301526041	97.0x12.0	110	56	4.91	48011	13010576
3"	348082	1301526082	88.9x3.1	60	56	3.21	48082	13010579
3"	348083	1301526083	88.9x5.5	60	56	3.43	48083	13010580
3"	348084	1301526084	88.9x7.7	110	56	4.02	48084	13010581
3"	348085	1301526085	88.9x11.1	110	56	4.30	48085	13010582
3"	348086	1301526086	88.9x15.2	110	56	4.35	48086	13010588

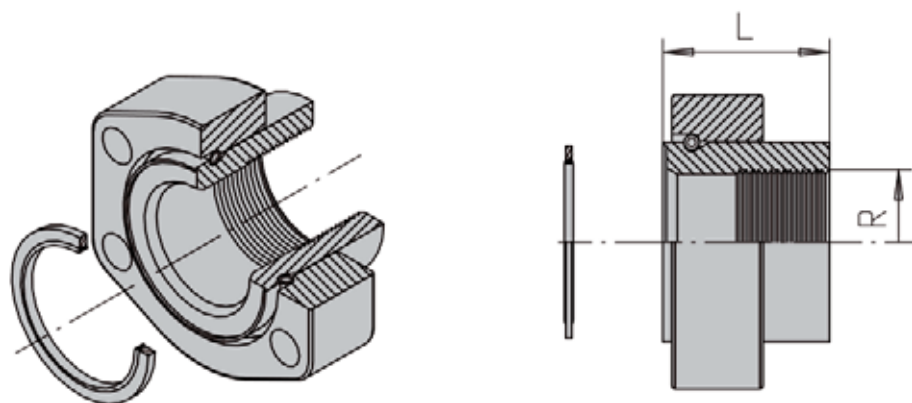
Body material: St 52
 Other materials by request, for example Stainless Steel, SMO, Duplex, Titanium and Superduplex.
 Part code does not include bolts
 Material possibilities page 18

Flanges page 59
 Retain Rings page 91
 Bonded Seals page 92

SAE 3000 PSI

Female Thread Flange

SAE J 518 Code 61



Metric

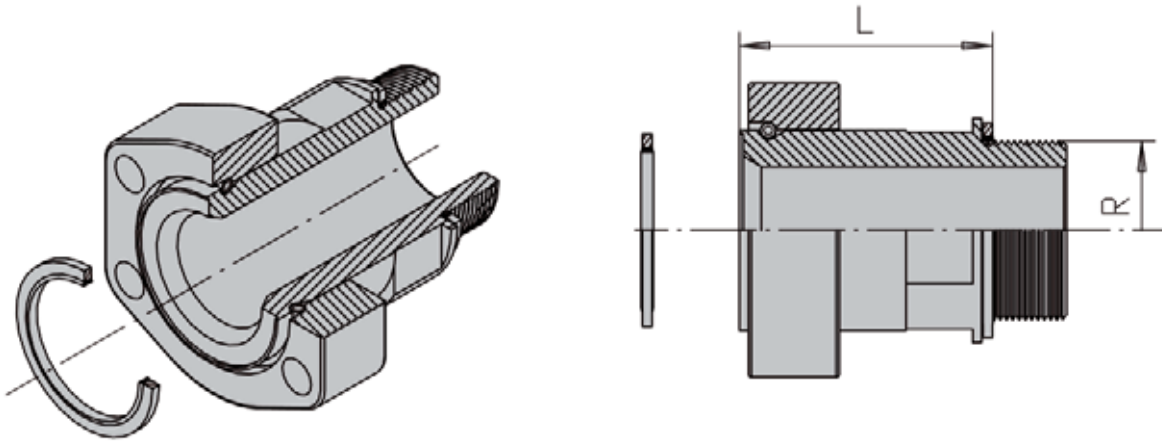
Size	Complete Part No	Complete ID Code	L	R	Weight (kg)	Body Part No	Body ID Code
1/2"	308013	13074990	35	1/4"	0.29	08013	13070001
3/4"	312013	13075000	40	1/2"	0.43	12013	13070010
1"	316013	13075010	40	3/4"	0.48	16013	13070060
1 1/4"	320013	13075020	42	1"	0.67	20013	13070070
1 1/2"	324013	13075030	45	1 1/4"	1.05	24013	13070080
2"	332013	13075040	55	1 1/2"	1.67	32013	13070090

ANSI 36.19

Size	Complete Part No	Complete ID Code	L	R	Weight (kg)	Body Part No	Body ID Code
1/2"	308013/21.3	13076108	35	1/4"NPT	0.5	08013/21.3	13076008
3/4"	312013/26.7	13076112	40	1/2"NPT	0.6	12013/26.7	13076012
1"	316013/33.4	13076116	40	3/4"NPT	0.7	16013/33.4	13076016
1 1/4"	320013/42.2	13076120	42	1"NPT	0.9	20013/42.2	13076020
1 1/2"	324013/48.3	13076124	45	1 1/4"NPT	1.4	24013/48.3	13076024
2"	332013/60.3	13076132	55	1 1/2"NPT	2.0	32013/60.3	13076032

Body material: St 52
 Other materials by request, for example Stainless Steel,
 SMO, Duplex, Titanium and Superduplex.
 Part code does not include bolts
 Material possibilities page 18

Flanges page 59
 Retain Rings page 91
 Bonded Seals page 92



Metric

Size	Complete Part No	Complete ID Code	L	R	Bonded Seal 2	A/F	Weight (kg)	Body Part No	Body ID Code
1/2"	308014	13055070	50.3	1/2"	1225SC	27	0.35	08014	13050001
1/2"	308014-R1/4	13055075	58.3	1/4"	0821SC	27	0.37	08014-R1/4	13050004
3/4"	312014	13055080	61.3	3/4"	1629SC	32	0.60	12014	13050020
3/4"	312014-R1/2	13055082	61.3	1/2"	1225SC	32	0.62	12014-R1/2	13050022
1"	316014	13055100	65.2	1"	2030SC	41	0.78	16014	13050040
1"	316014-R3/4	13055104	64.3	3/4"	1629SC	32	0.80	16014-R3/4	13050043
1 1/4"	320014	13055120	68.2	1 1/4"	2432SC	46	1.08	20014	13050060
1 1/4"	320014-R1	13055122	68.2	1"	2030SC	41	1.16	20014-R1	13050062
1 1/2"	324014	13055140	78.2	1 1/2"	2433SC	50	1.71	24014	13050100
1 1/2"	324014-R11/4	13055142	78.2	1 1/4"	2432SC	46	1.80	24014-R11/4	13050103
2"	332014	13055160	83.2	2"	3236SC	65	2.55	32014	13050140
2"	332014-R11/2	13055162	83.2	1 1/2"	2433SC	50	2.71	32014-R11/2	13050142

ANSI 36.19

Size	Complete Part No	Complete ID Code	L	BSP	Bonded Seal 2	A/F	Weight (kg)	Body Part No	Body ID Code
1/2"	308014/21.3	13056308	50.3	1/2"	1225SC	27	0.5	08014/21.3	13056208
3/4"	312014/26.7	13056312	61.3	3/4"	1629SC	32	0.6	12014/26.7	13056212
1"	316014/33.4	13056316	65.2	1"	2030SC	41	0.8	16014/33.4	13056216
1 1/4"	320014/42.2	13056320	68.2	1 1/4"	2432SC	46	1.2	20014/42.2	13056220
1 1/2"	324014/48.3	13056324	78.2	1 1/2"	2433SC	50	1.8	24014/48.3	13056224
2"	332014/60.3	13056332	83.2	2"	3236SC	65	2.9	32014/60.3	13056232

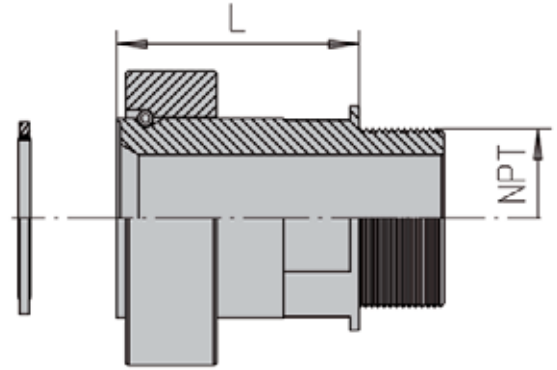
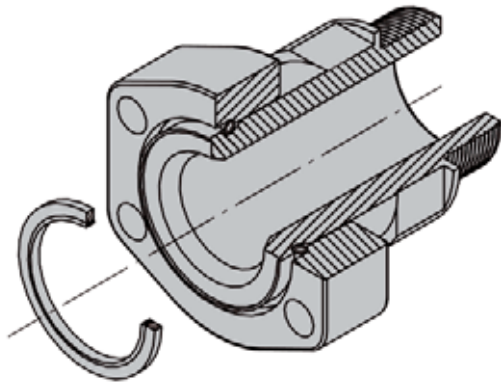
Body material: St 52
 Other materials by request, for example Stainless Steel, SMO, Duplex, Titanium and Superduplex.
 Part code does not include bolts
 Material possibilities page 18

Flanges page 59
 Retain Rings page 91
 Bonded Seals page 92

SAE 3000 PSI

Male Thread Flange (NPT)

SAE J 518 Code 61



Metric

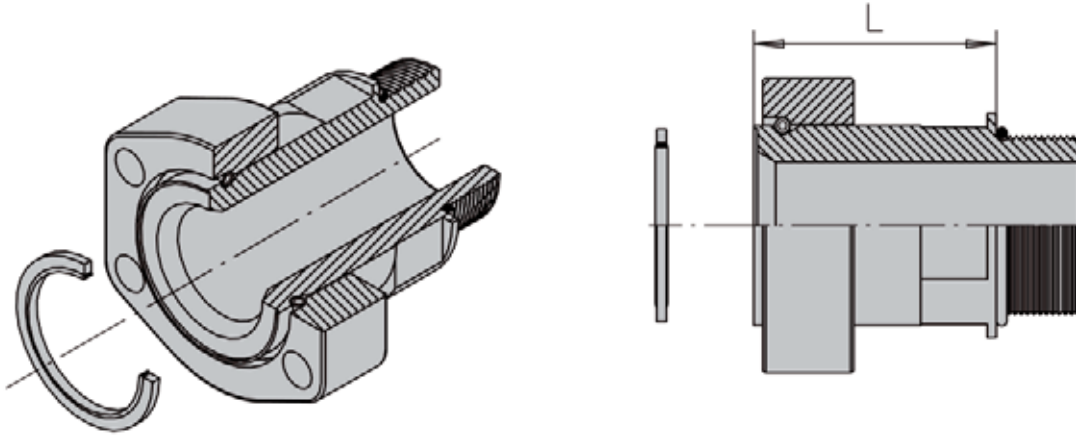
Size	Complete Part No	Complete ID Code	L	NPT	Weight (kg)	Body Part No	Body ID Code
1/2"	308114	13055077	50	1/2"	0.4	08114	13050010
3/4"	312114	13055090	63	3/4"	0.5	12114	13050024
1"	316114	13055106	63	1"	0.7	16114	13050046
1 1/4"	320114	13055124	67	1 1/4"	1.0	20114	13050080
1 1/2"	324114	13055144	75	1 1/2"	1.8	24114	13050120
2"	332114	13055164	80	2"	2.5	32114	13050148

ANSI 36.19

Size	Complete Part No	Complete ID Code	L	NPT	Weight (kg)	Body Part No	Body ID Code
1/2"	308114/21.3	13056508	50	1/2"	0.5	08114/21.3	13056408
3/4"	312114/26.7	13056512	63	3/4"	0.6	12114/26.7	13056412
1"	316114/33.4	13056516	63	1"	0.8	16114/33.4	13056416
1 1/4"	320114/42.2	13056520	67	1 1/4"	0.9	20114/42.2	13056420
1 1/2"	324114/48.3	13056524	75	1 1/2"	1.7	24114/48.3	13056424
2"	332114/60.3	13056532	80	2"	2.3	32114/60.3	13056432

Body material: St 52
 Other materials by request, for example Stainless Steel,
 SMO, Duplex, Titanium and Superduplex.
 Part code does not include bolts
 Material possibilities page 18

Flanges page 59
 Retain Rings page 91
 Bonded Seals page 92



Metric

Size	Complete Part No	Complete ID Code	L	SAE (UNF)	Weight (kg)	Body Part No	Body ID Code
1/2"	308214	13055078	50.3	3/4-16	0.4	08214	13050013
3/4"	312214	13055092	61.3	1/16-12	0.5	12214	13050029
1"	316214	13055108	65.2	1 5/16-12	0.7	16214	13050055
1 1/4"	320214	13055126	68.2	1 5/8-12	1.0	20214	13050090
1 1/2"	324214	13055146	78.2	1 7/8-12	1.8	24214	13050122
2"	332214	13055166	83.2	2 1/2-12	2.5	32214	13050155

ANSI 36.19

Size	Complete Part No	Complete ID Code	L	SAE (UNF)	Weight (kg)	Body Part No	Body ID Code
1/2"	308214/21.3	13056708	50.3	3/4x16	0.5	08214/21.3	13056608
3/4"	312214/26.7	13056712	61.3	1/16-12	0.6	12214/26.7	13056612
1"	316214/33.4	13056716	65.2	1 5/16-12	0.8	16214/33.4	13056616
1 1/4"	320214/42.2	13056720	68.2	1 5/8-12	0.9	20214/42.2	13056620
1 1/2"	324214/48.3	13056724	78.2	1 7/8-12	1.7	24214/48.3	13056624
2"	332214/60.3	13056732	83.2	2 1/2-12	2.3	32214/60.3	13056632

Body material: St 52

Other materials by request, for example Stainless Steel, SMO, Duplex, Titanium and Superduplex.

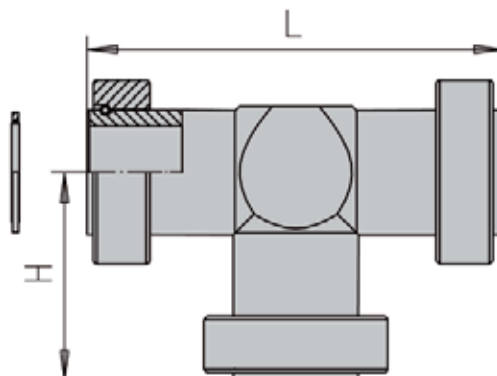
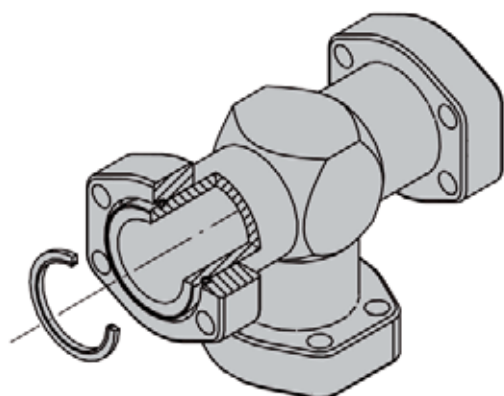
Part code does not include bolts

Material possibilities page 18

Flanges page 59

Retain Rings page 91

Bonded Seals page 92



Metric

Size	Complete Part No	Complete ID Code	L	H	Weight (kg)	Body Part No	Body ID Code
1/2"	308016	17012001	120	60	1.10	08016	17010001
3/4"	312016	17012020	130	65	1.68	12016	17010020
3/4"– 1/2"	312/308/312016	17012022	130	65	1.68	12/08/12016	17010022
1"	316016	17012040	140	70	2.13	16016	17010040
1"– 3/4"	316/312/316016	17012044	140	65	2.00	16/12/16016	17010044
1"– 1/2"	316/308/316016	17012042	140	65	1.66	16/08/16016	17010042
1 1/4"	320016	17012060	160	80	2.87	20016	17010060
1 1/4"– 1"	320/316/320016	17012066	160	75	2.83	20/16/20016	17010066
1 1/4"– 3/4"	320/312/320016	17012064	160	70	2.44	20/12/20016	17010064
1 1/2"	324016	17012080	180	90	4.75	24016	17010080
1 1/2"– 1 1/4"	324/320/324016	17012086	180	85	3.86	24/20/24016	17010086
1 1/2"– 1"	324/316/324016	17012084	180	80	3.60	24/16/24016	17010084
2"	332016	17012100	220	110	7.05	32016	17010100
2"– 1 1/2"	332/324/332016	17012106	220	95	6.63	32/24/32016	17010108
2"– 1 1/4"	332/320/332016	17012104	220	90	5.31	32/20/32016	17010106
2 1/2"	340016	17012119	260	130	10.8	40016	17010120
3"	348016	17012125	320	160	18.8	48016	17010140

ANSI 36.19

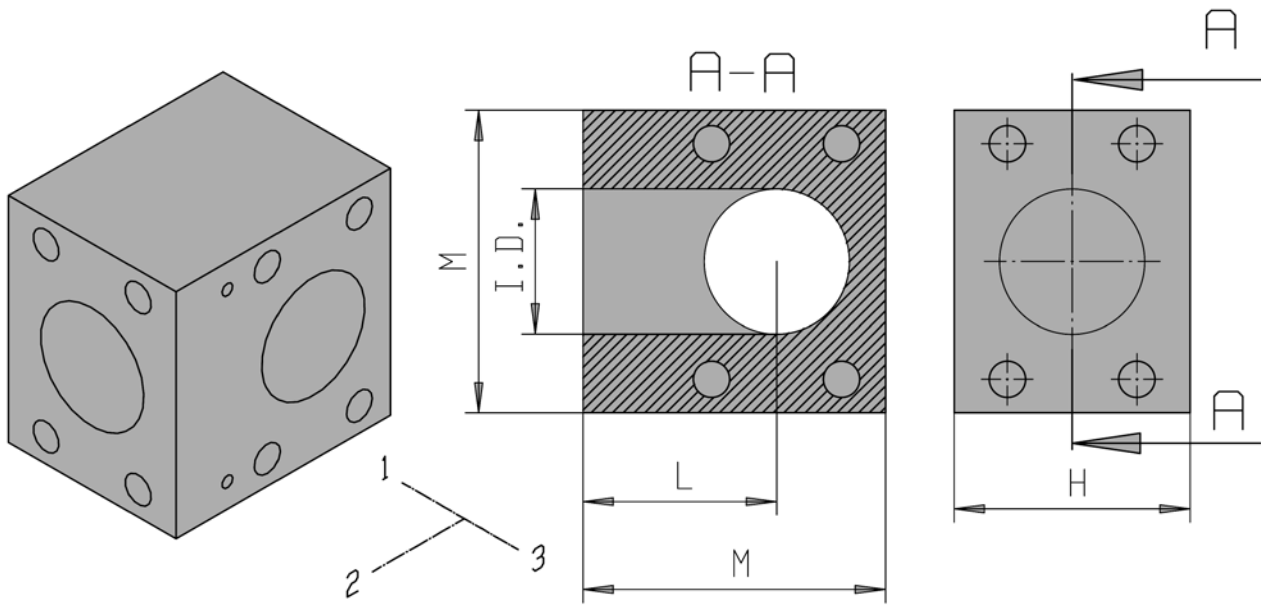
Size	Complete Part No	Complete ID Code	L	H	Weight (kg)	Body Part No	Body ID Code
1/2"	308016/21.3	17013008	120	60	1.0	08016/21.3	17010508
3/4"	312016/26.7	17013012	130	65	2.0	12016/26.7	17010512
1"	316016/33.4	17013016	140	70	1.9	16016/33.4	17010516
1 1/4"	320016/42.2	17013020	160	80	2.8	20016/42.2	17010520
1 1/2"	324016/48.3	17013024	180	90	4.5	24016/48.3	17010524
2"	332016/60.3	17013032	220	110	5.3	32016/60.3	17010532
3"	348016/88.9	17013048	320	160	11.9	48016/88.9	17010548

Body material: Forged St 50.2 or St 52
 Other materials by request, for example Stainless Steel,
 SMO, Duplex, Titanium and Superduplex.
 Part code does not include bolts and seals.
 Material possibilities page 18

Flanges page 59
 Retain Rings page 91
 Bonded Seals page 92

SAE J 518 Code 61

Tee Block



Metric

Size	Part No	ID Code	H	L	M	I.D.	Weight (kg)
1/2"	308116	17020001	40	36	56	13	0.81
3/4"	312116	17020020	40	50	70	20	1.18
3/4" - 1/2"	312/308/312116	17020024	40	50	70		1.26
1"	316116	17020040	48	47	70	23	1.38
1" - 3/4"	316/312/316116	17020044	48	47	70		1.41
1" - 1/2"	316/308/316116	17020042	48	47	70		1.49
1 1/4"	320116	17020060	58	55	80	30	2.12
1 1/4" - 1"	320/316/320116	17020066	58	55	80		2.23
1 1/4" - 3/4"	320/312/320116	17020064	58	55	80		2.27
1 1/2"	324116	17020080	68	59	90	38	2.96
1 1/2" - 1 1/4"	324/320/324116	17020088	68	59	90		3.16
1 1/2" - 1"	324/316/324116	17020086	68	59	90		3.22
2"	332116	17020100	78	64	100	48	4.05
2" - 1 1/2"	332/324/332116	17020106	78	64	100		4.26
2" - 1 1/4"	332/320/332116	17020104	78	64	100		4.45
2 1/2"	340116	17020120	88	65	110	60	5.05
2 1/2" - 2"	340/332/340116	17020124	88	65	110		5.49
2 1/2" - 1 1/2"	340/324/340116	17020122	88	65	110		5.60
3"	348116	17020140	110	80	135	72	9.97
3" - 2 1/2"	348/340/348116	17020144	110	80	135		10.6
3" - 2"	348/332/348116	17020142	110	80	135		11.1

ANSI 36.19

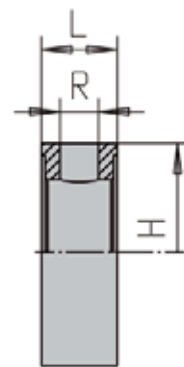
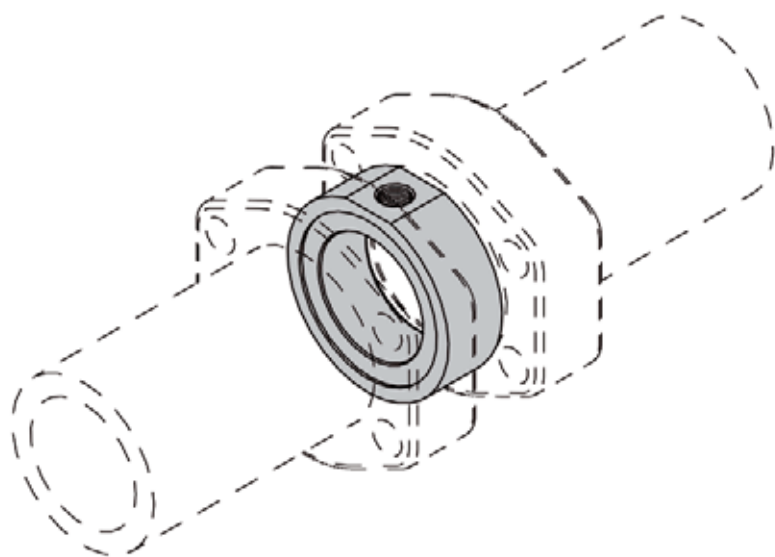
Size	Part No	ID Code	H	L	M	I.D.	Weight (kg)
1/2"	308116/21.3	17020608	40	36	56	6.3	0.80
3/4"	312116/26.7	17020612	40	50	70	11.1	1.20
1"	316116/33.4	17020616	48	47	70	15.2	1.38
1 1/4"	320116/42.2	17020620	58	55	80	22.8	2.12
1 1/2"	324116/48.3	17020624	68	59	90	27.9	2.96
2"	332116/60.3	17020632	78	64	100	38.1	4.05
3"	348116/88.9	17020648	110	80	135	58.5	9.97

Component material: St 52
 Other materials by request, for example Stainless Steel, SMO, Duplex, Titanium and Superduplex.
 Part number does not include bolts

SAE 3000 PSI

Tee Between (BSP)

SAE J 518 Code 61



Metric

Size	Part No	ID Code	H	L	R	Bolt length DIN912, 8.8	Weight (kg)
1/2"	08035	18010000	25	14.0	1/4"	M8x90	0.12
3/4"	12035	18010001	25	17.6	1/4"	M10x90	0.18
1"	16035	18010020	25	20.5	1/4"	M10x90	0.22
1 1/4"	20035	18010030	25	24.3	1/4"	M10x100	0.27
1 1/2"	24035	18010040	25	31.3	1/4"	M12x110	0.41
2"	32035	18010050	25	36.0	1/4"	M12x110	0.47
1 1/4"	20036	18010031	35	22.5	1/2"	M10x110	0.35
1 1/2"	24036	18010043	35	29.6	1/2"	M12x120	0.56
2"	32036	18010051	35	34.6	1/2"	M12x120	0.65
2 1/2"	40036	18010060	40	43	1/2"	M12x150	0.90
2 1/2"	40037	18010061	45	41	3/4"	M12x160	1.30
3"	48037	18010068	50	49	3/4"	M16x180	1.60
3"	48038	18010069	60	48	1"	M16x190	1.90

ANSI 36.19

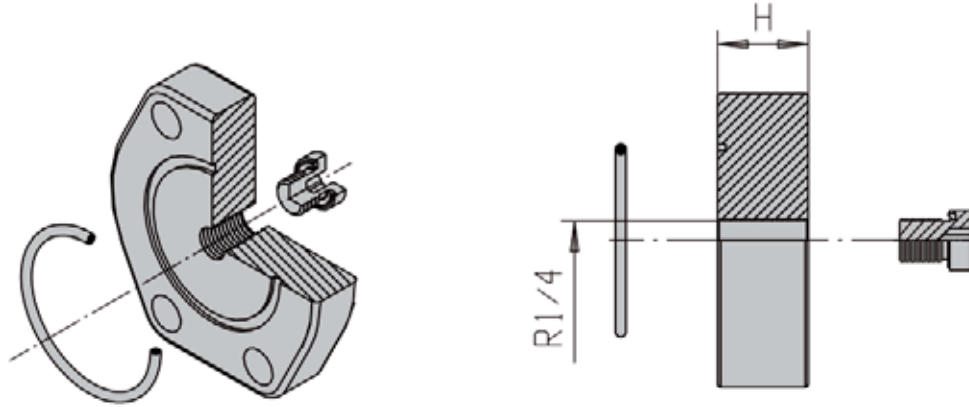
Size	Part No	ID Code	H	L	NPT	Bolt length DIN912, 8.8	Weight (kg)
1/2"	08035/21.3	180100005	25	14	1/4"NPT	M8x90	0.10
3/4"	12035/26.7	180100006	25	18	1/4"NPT	M10x90	0.13
1"	16035/33.4	180100023	25	21	1/4"NPT	M10x90	0.21
1 1/4"	20036/42.2	180100036	35	24	1/2"NPT	M10x110	0.35
1 1/2"	24036/48.3	180100048	35	31	1/2"NPT	M12x120	0.60
2"	32036/60.3	180100053	35	36	1/2"NPT	M12x120	0.75
3"	48038/88.9	180100073	60	54	1"NPT	M16x190	2.10

Component material: St 52

Other materials by request, for example Stainless Steel,

SMO, Duplex, Titanium and Superduplex.

Part number does not include bolts



TUBES & PIPES

CLAMPS

VALVES

BITE TYPE FITTINGS

SAE J514 JIC FLARE FITTINGS

HOSES & HOSE COUPLINGS

ADAPTORS

SPECIAL SOLUTIONS

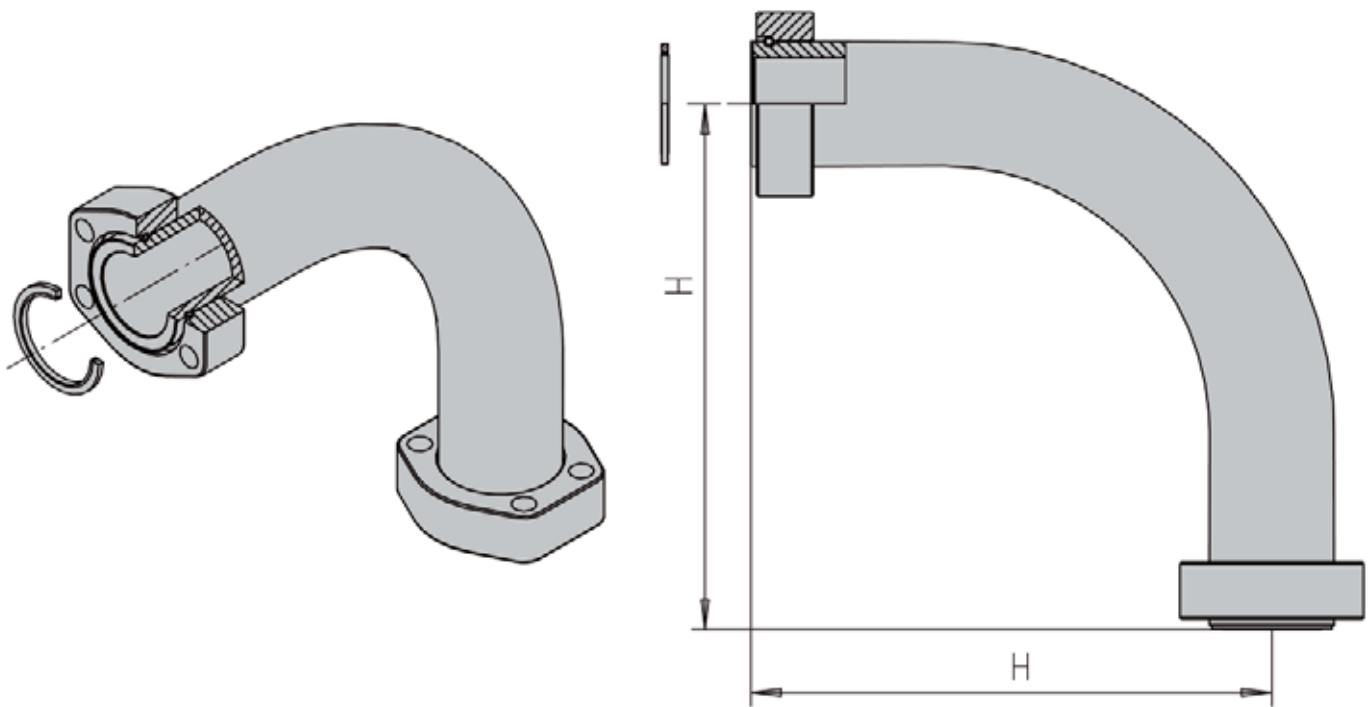
MACHINES

TECHNICAL INFORMATION

Metric

Size	Complete Part No	Complete ID Code	H	Weight (kg)
1/2"	308125	19055040	20	0.24
3/4"	312125	19055045	20	0.36
1"	316125	19055050	20	0.45
1 1/4"	320125	19055055	20	0.62
1 1/2"	324125	19055060	25	1.10
2"	332125	19055065	30	1.73
2 1/2"	340125	19055070	40	2.61
3"	348125	19055075	50	4.19

Component material: St 52
 Other materials by request, for example Stainless Steel, SMO, Duplex, Titanium and Superduplex.
 Part number does not include bolts

**Metric**

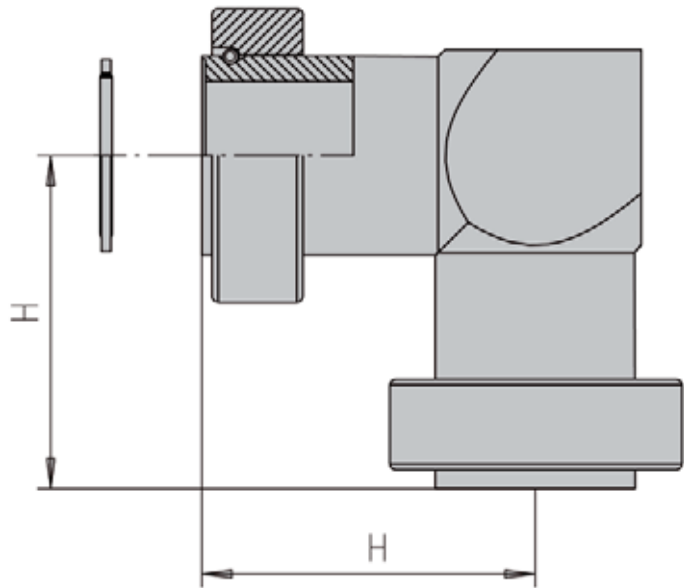
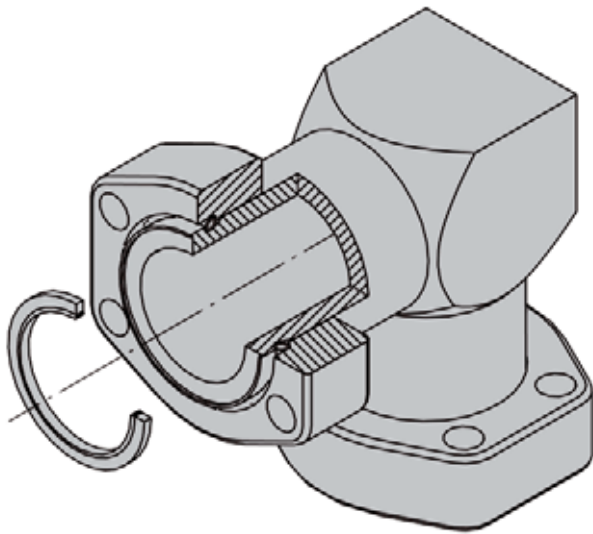
Size	Complete Part No	Complete ID Code	H	Bending Radius	Weight (kg)	Body Part No	Body ID Code
3/4"	312018	16022001	180	90	1.43	12018	16020001
1"	316018	16022005	180	98	1.64	16018	16020005
1 1/4"	320018	16022010	190	96	2.42	20018	16020010
1 1/2"	324018	16022015	240	116	3.63	24018	16020015
2"	332018	16022020	275	173	5.45	32018	16020020
2 1/2"	340018	16022022	450	228	8.21	40018	16020025
3"	348018	16022024	540	283	14.6	48018	16020030

ANSI 36.19

Size	Complete Part No	Complete ID Code	H	Bending Radius	Weight (kg)	Body Part No	Body ID Code
1/2"	308018/21.3	16024308	180	64	1.1	08018/21.3	16024008
3/4"	312018/26.7	16024312	180	80	2.4	12018/26.7	16024012
1"	316018/33.4	16024316	180	100	2.4	16018/33.4	16024016
1 1/4"	320018/42.2	16024320	190	127	3.3	20018/42.2	16024020
1 1/2"	324018/48.3	16024324	240	145	5.6	24018/48.3	16024024
2"	332018/60.3	16024332	275	181	7.8	32018/60.3	16024032
3"	348018/88.9	16024348	540	267	24.1	48018/88.9	16024048

Body material: St 52
 Other materials by request, for example Stainless Steel,
 SMO, Duplex, Titanium and Superduplex.
 Part code does not include bolts and seals.
 Material possibilities page 18

Flanges page 59
 Retain Rings page 91
 Bonded Seals page 92



Metric

Size	Complete Part No	Complete ID Code	H	Weight (kg)	Body Part No	Body ID Code
1/2"	308015	16012001	60	0.81	08015	16010001
3/4"	312015	16012005	65	1.43	12015	16010005
1"	316015	16012010	70	1.64	16015	16010010
1 1/4"	320015	16012015	80	2.42	20015	16010015
1 1/2"	324015	16012020	90	3.63	24015	16010020
2"	332015	16012025	110	5.45	32015	16010025
2 1/2"	340015	16012027	130	8.21	40015	16010030
3"	348015	16012028	160	14.6	48015	16010035

ANSI 36.19

Size	Complete Part No	Complete ID Code	H	Weight (kg)	Body Part No	Body ID Code
1/2"	308015/21.3	16012308	60	0.7	08015/21.3	16024008
3/4"	312015/26.7	16012312	65	1.3	12015/26.7	16024012
1"	316015/33.4	16012316	70	1.4	16015/33.4	16024016
1 1/4"	320015/42.2	16012320	80	2.2	20015/42.2	16024020
1 1/2"	324015/48.3	16012324	90	3.4	24015/48.3	16024024
2"	332015/60.3	16012332	110	4.6	32015/60.3	16024032
3"	348015/88.9	16012348	160	9.8	48015/88.9	16024048

Body material: Forged St 50.2 or St 52
 Other materials by request, for example Stainless Steel, SMO, Duplex, Titanium and Superduplex.
 Part code does not include bolts and seals.
 Material possibilities page 18

Flanges page 59
 Retain Rings page 91
 Bonded Seals page 92

SAE 3000 PSI**Elbow Block****SAE J 518 Code 61**

TUBES & PIPES

CLAMPS

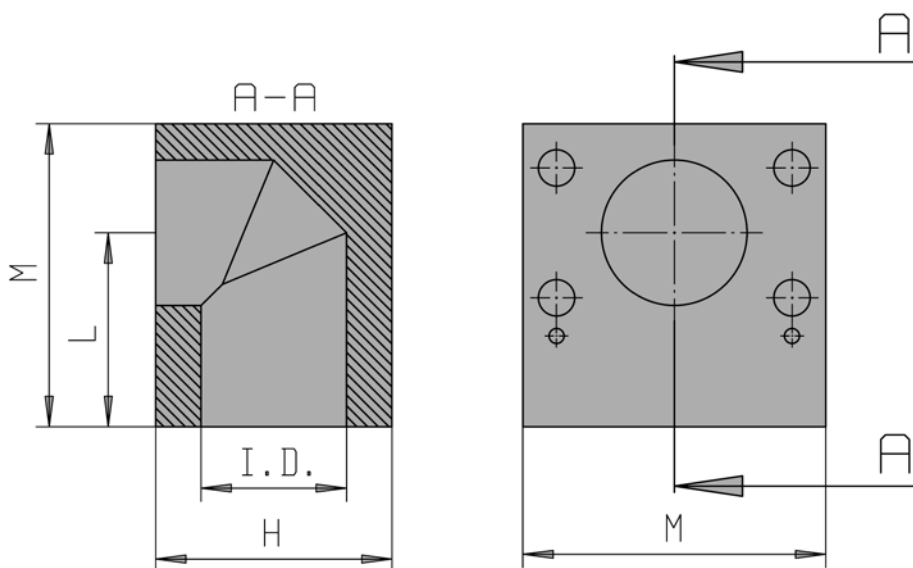
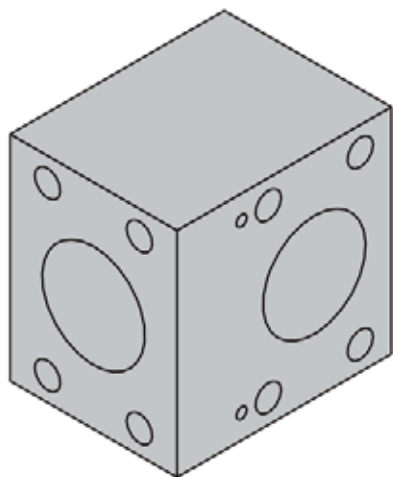
VALVES

BITE TYPE
FITTINGSSAE J514 JIC
FLARE FITTINGSHOSES &
HOSE COUPLINGS

ADAPTORS

SPECIAL
SOLUTIONS

MACHINES

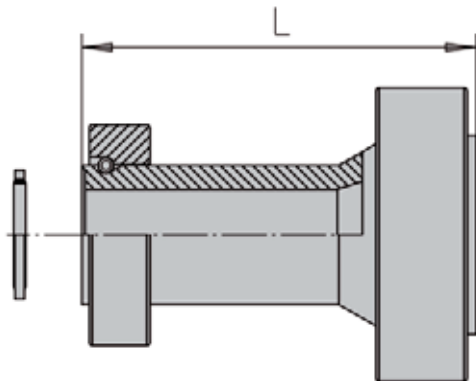
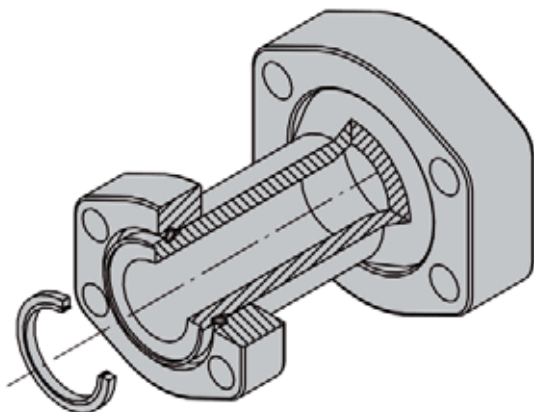
TECHNICAL
INFORMATION**Metric**

Size	Part No	ID Code	H	L	M	I.D.	Weight (kg)
1/2"	308115	16030001	40	36	56	14	0.83
3/4"	312115	16030005	40	50	70	20	1.22
1"	316115	16030010	48	47	70	24	1.46
1 1/4"	320115	16030015	58	55	80	29	2.24
1 1/2"	324115	16030020	68	59	90	39	3.16
2"	332115	16030025	78	64	100	49	4.31
2 1/2"	340115	16030030	88	65	110	60	5.45
3"	348115	16030035	110	80	135	73	11.1

ANSI 36.19

Size	Part No	ID Code	H	L	M	I.D.	Weight (kg)
1/2"	308115/21.3	16030208	40	36	56	6.3	0.83
3/4"	312115/26.7	16030212	40	50	70	11.1	1.22
1"	316115/33.4	16030216	48	47	70	15.2	1.46
1 1/4"	320115/42.2	16030220	58	55	80	22.8	2.24
1 1/2"	324115/48.3	16030224	68	59	90	27.9	3.16
2"	332115/60.3	16030232	78	64	100	38.1	4.31
3"	348115/88.9	16030248	110	80	135	58.5	11.1

Component material: St 52
 Other materials by request, for example Stainless Steel,
 SMO, Duplex, Titanium and Superduplex.
 Part number does not include bolts



Metric

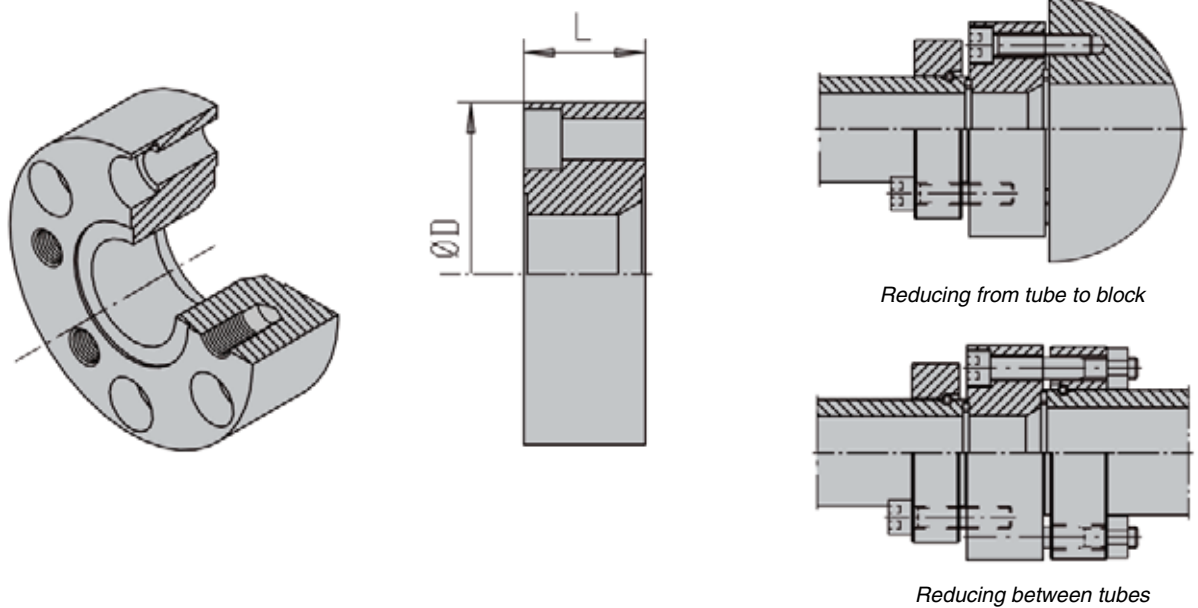
Size	Complete Part No	Complete ID Code	L	Weight (kg)	Body Part No	Body ID Code
3/4"– 1/2"	RF312-308	15012073	65	0.75	12-08	150100005
1"– 3/4"	RF316-312	15012080	110	1.10	16-12	150100001
1"– 1/2"	RF316-308	15012078	110	1.10	16-08	150100009
1 1/4"– 1"	RF320-316	15012095	110	1.38	20-16	150100015
1 1/4"– 3/4"	RF320-312	15012090	110	1.28	20-12	150100010
1 1/2"– 1 1/4"	RF324-320	15012105	130	2.10	24-20	150100025
1 1/2"– 1"	RF324-316	15012100	110	1.76	24-16	150100020
2"– 1 1/2"	RF332-324	15012115	130	3.01	32-24	150100035
2"– 1 1/4"	RF332-320	15012110	130	2.52	32-20	150100030
2 1/2"– 2"	RF340-332	15012117	150	4.62	40-32	150100045
2 1/2"– 1 1/2"	RF340-324	15012116	150	4.08	40-24	150100040
3"– 2 1/2"	RF348-340	15012119	180	7.63	48-40	150100055
3"– 2"	RF348-332	15012118	180	6.62	48-32	150100050

ANSI 36.19

Size	Complete Part No	Complete ID Code	L	Weight (kg)	Body Part No	Body ID Code
3/4"– 1/2"	RF312/26.7-308/21.3	15017412	65	0.9	12/26.7-08/21.3	15017312
1"– 3/4"	RF316/33.4-312/26.7	15017416	110	1.1	16/33.4-12/26.7	15017316
1 1/4"– 1"	RF320/42.2-316/33.4	15017420	110	1.2	20/42.2-16/33.4	15017320
1 1/4"– 3/4"	RF320/42.2-312/26.7	150174205	110	1.3	20/42.2-12/26.7	150173205
1 1/2"– 1 1/4"	RF324/48.3-320/42.2	15017424	130	2.0	24/48.3-20/42.2	15017324
1 1/2"– 1"	RF324/48.3-316/33.4	150174245	110	1.6	24/48.3-16/33.4	150173245
2"– 1 1/2"	RF332/60.3-324/48.3	15017432	130	2.8	32/60.3-24/48.3	15017332
2"– 1 1/4"	RF332/60.3-320/42.2	150174325	130	2.2	32/60.3-20/42.2	150173325
3"– 2"	RF348/88.9-332/60.3	15017448	180	5.6	48/88.9-32/60.3	15017348

Body material: St 52
 Other materials by request, for example Stainless Steel, SMO, Duplex, Titanium and Superduplex.
 Part code does not include bolts
 Material possibilities page 18

Flanges page 59
 Retain Rings page 91
 Bonded Seals page 92

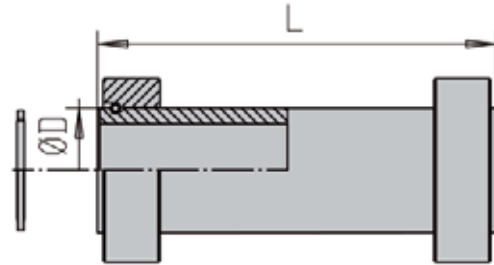
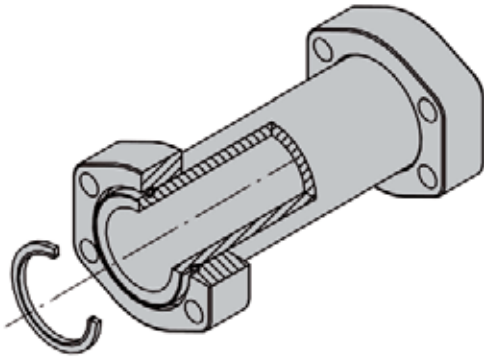
SAE 3000 PSI**Reducer Block****SAE J 518 Code 61****Metric**

Size	Part No	ID Code	D	L	Weight (kg)
3/4"– 1/2"	RBE312-308	15021080	72	25	0.70
1"– 3/4"	RBE316-312	15021092	78	30	0.90
1"– 1/2"	RBE316-308	15021090	78	30	0.96
1 1/4"– 1"	RBE320-316	15021104	88	35	1.40
1 1/4"– 3/4"	RBE320-312	15021102	88	35	1.40
1 1/4"– 1/2"	RBE320-308	15021100	88	35	1.46
1 1/2"– 1 1/4"	RBE324-320	15021114	103	40	2.17
1 1/2"– 1"	RBE324-316	15021112	103	40	2.22
1 1/2"– 3/4"	RBE324-312	15021110	103	40	2.23
2"– 1 1/2"	RBE332-324	15021124	113	40	2.50
2"– 1 1/4"	RBE332-320	15021122	113	40	2.63
2"– 1"	RBE332-316	15021120	113	40	2.35
2 1/2"– 2"	RBE340-332	15021134	128	40	3.15
2 1/2"– 1 1/2"	RBE340-324	15021132	128	40	3.28
2 1/2"– 1 1/4"	RBE340-320	15021130	128	40	3.35
3"– 2 1/2"	RBE348-340	15021144	158	40	4.86
3"– 2"	RBE348-332	15021142	158	40	5.04
3"– 1 1/2"	RBE348-324	15021140	158	40	5.11

ANSI 36.19

Size	Part No	ID Code	D	L	Weight (kg)
3/4"– 1/2"	RBE312/26.7-308/21.3		72	25	0.70
1"– 3/4"	RBE316/33.4-312/26.7		78	30	0.90
1 1/4"– 1"	RBE320/42.2-316/33.4		88	35	1.40
1 1/4"– 3/4"	RBE320/42.2-312/26.7		88	35	1.40
1 1/2"– 1 1/4"	RBE324/48.3-320/42.2		103	40	2.17
1 1/2"– 1"	RBE324/48.3-316/33.4		103	40	2.22
2"– 1 1/2"	RBE332/60.3-324/48.3		113	40	2.50
2"– 1 1/4"	RBE332/60.3-320/42.2		113	40	2.63
3"– 2"	RBE348/88.9-332/60.3		158	40	5.04

Component material: St 52
 Other materials by request, for example Stainless Steel,
 SMO, Duplex, Titanium and Superduplex.
 Part number does not include bolts



Metric

Size	Complete Part No	Complete ID Code	L	D	Weight (kg)	Body Part No	Body ID Code
1/2"	308019	19040543	170	27	1.20	08019	19040000
3/4"	312019	19040545	170	37	1.37	12019	19040001
1"	316019	19040550	170	40	1.51	16019	19040005
1 1/4"	320019	19040555	180	47	2.10	20019	19040010
1 1/2"	324019	19040560	180	57	3.04	24019	19040015
2"	332019	19040565	210	68	4.37	32019	19040020
2 1/2"	340019	19040567	220	82	6.77	40019	19040025
3"	348019	19040568	240	99	10.6	48019	19040030

ANSI 36.19

Size	Complete Part No	Complete ID Code	L	D	Weight (kg)	Body Part No	Body ID Code
1/2"	308019/21.3	19041308	170	22	1.1	08019/21.3	19041008
3/4"	312019/26.7	19041312	170	27	1.3	12019/26.7	19041012
1"	316019/33.4	19041316	170	34	1.3	16019/33.4	19041016
1 1/4"	320019/42.2	19041320	180	43	1.9	20019/42.2	19041020
1 1/2"	324019/48.3	19041324	180	49	3.0	24019/48.3	19041024
2"	332019/60.3	19041332	210	61	3.9	32019/60.3	19041032
3"	348019/88.9	19041348	240	90	5.8	48019/88.9	19041048

Body material: St 52
 Other materials by request, for example Stainless Steel, SMO, Duplex, Titanium and Superduplex.
 Part code does not include bolts
 Material possibilities page 18

Flanges page 59
 Retain Rings page 91
 Bonded Seals page 92

SAE 3000 PSI

Vibra Bulkhead Flange

SAE J 518 Code 61

TUBES & PIPES

CLAMPS

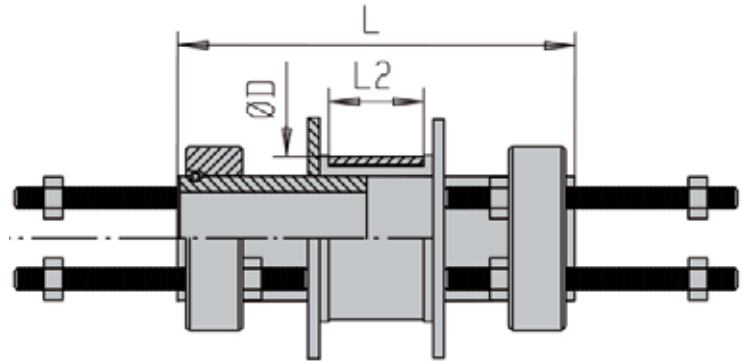
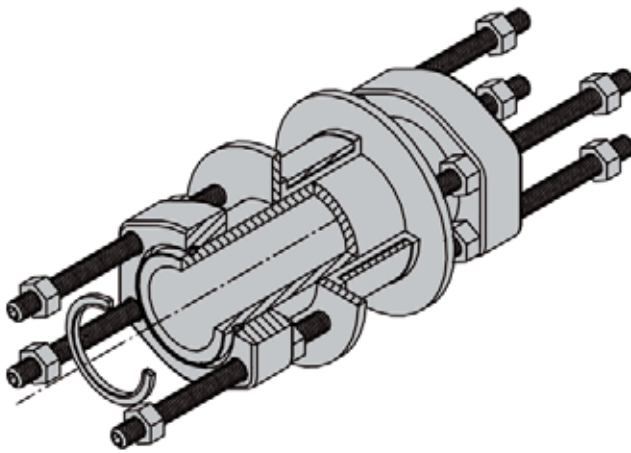
VALVES

BITE TYPE
FITTINGSSAE J514 JIC
FLARE FITTINGSHOSES &
HOSE COUPLINGS

ADAPTORS

SPECIAL
SOLUTIONS

MACHINES

TECHNICAL
INFORMATION

Metric

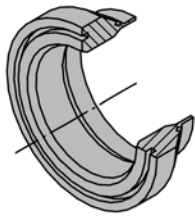
Size	Complete Part No	Complete ID Code	L	D	L2	Weight (kg)
3/4"	312024	19042045	170	58	50	2.95
1"	316024	19042050	170	63	50	3.61
1 1/4"	320024	19042055	180	68	50	4.24
1 1/2"	324024	19042060	180	78	50	5.38
2"	332024	19042065	210	88	50	7.07
2 1/2"	340024	19042067	220	104	50	10.1
3"	348024	19042068	240	124	50	16.2

ANSI 36.19

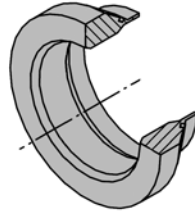
Size	Complete Part No	Complete ID Code	L	D	L2	Weight (kg)
1/2"	308024/21.3	19042308	170	46	50	2.1
3/4"	312024/26.7	19042312	170	58	50	2.1
1"	316024/33.4	19042316	170	63	50	2.2
1 1/4"	320024/42.2	19042320	180	68	50	3.4
1 1/2"	324024/48.3	19042324	180	78	50	4.8
2"	332024/60.3	19042332	210	88	50	6.5
3"	348024/88.9	19042348	240	124	50	7.5

Body material: St 52
 Other materials by request, for e.g. Stainless Steel,
 SMO, Duplex, Titanium and Superduplex.
 Part code does not include bolts
 Material possibilities page 18

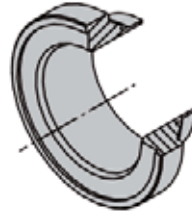
Flanges page 59
 Retain Rings page 91
 Bonded Seals page 92



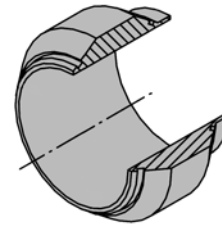
Type A



Type B



Type C



Type D

Metric

Size	Part No Type A	ID Code Type A	Part No Type B	ID Code Type B	Part No Type C	ID Code Type C	Part No Type D	ID Code Type D	Pipe Size
1/2"	08/16X2.0FA	14010003	08/16X2.0FB	14010004	08/16X2.0FC	14010005	08/16X2.0FD	14010006	16x2.0
1/2"	08/18X2.0FA	14010021	08/18X2.0FB	14010022	08/18X2.0FC	14010023	08/18X2.0FD	14010024	18x2.0
1/2"	08/20X2.0FA	14010041	08/20X2.0FB	14010042	08/20X2.0FC	14010043	08/20X2.0FD	14010044	20x2.0
1/2"	08/25X2.5FA	14010060	08/25X2.5FB	14010061	08/25X2.5FC	14010063	08/25X2.5FD	14010064	25x2.5
1/2"	08/25X3.0FA	14010066	08/25X3.0FB	14010067	08/25X3.0FC	14010068	08/25X3.0FD	14010069	25x3.0
3/4"	12/20X2.0FA	14010101	12/20X2.0FB	14010102	12/20X2.0FC	14010103	12/20X2.0FD	14010104	20x2.0
3/4"	12/20X2.5FA	14010106	12/20X2.5FB	14010107	12/20X2.5FC	14010108	12/20X2.5FD	14010109	20x2.5
3/4"	12/25X2.5FA	14010121	12/25X2.5FB	14010122	12/25X2.5FC	14010123	12/25X2.5FD	14010124	25x2.5
3/4"	12/25X3.0FA	14010126	12/25X3.0FB	14010127	12/25X3.0FC	14010128	12/25X3.0FD	14010129	25x3.0
3/4"	12/30X3.0FA	14010141	12/30X3.0FB	14010142	12/30X3.0FC	14010143	12/30X3.0FD	14010144	30x3.0
1"	16/25X2.5FA	14010161	16/25X2.5FB	14010162	16/25X2.5FC	14010163	16/25X2.5FD	14010164	25x2.5
1"	16/25X3.0FA	14010166	16/25X3.0FB	14010167	16/25X3.0FC	14010168	16/25X3.0FD	14010169	25x3.0
1"	16/30X3.0FA	14010181	16/30X3.0FB	14010182	16/30X3.0FC	14010183	16/30X3.0FD	14010184	30x3.0
1"	16/30X4.0FA	14010186	16/30X4.0FB	14010187	16/30X4.0FC	14010188	16/30X4.0FD	14010189	30x4.0
1"	16/38X4.0FA	14010227	16/38X4.0FB	14010228	16/38X4.0FC	14010229	16/38X4.0FD	14010230	38x4.0
1 1/4"	20/30X3.0FA	14010241	20/30X3.0FB	14010242	20/30X3.0FC	14010243	20/30X3.0FD	14010244	30x3.0
1 1/4"	20/30X4.0FA	140102442	20/30X4.0FB	140102444	20/30X4.0FC	14010245	20/30X4.0FD	1401024510	30x4.0
1 1/4"	20/38X4.0FA	14010285	20/38X4.0FB	14010285	20/38X4.0FC	14010287	20/38X4.0FD	14010288	38x4.0
1 1/4"	20/38X5.0FA	14010290	20/38X5.0FB	10410292	20/38X5.0FC	10410293	20/38X5.0FD	10410294	38x5.0
1 1/4"	20/42X4.0FA	14010306	20/42X4.0FB	14010307	20/42X4.0FC	14010308	20/42X4.0FD	14010309	42x4.0
1 1/2"	24/30X3.0FA	14010327	24/30X3.0FB	14010328	24/30X3.0FC	14010329	24/30X3.0FD	14010330	30x3.0
1 1/2"	24/38X4.0FA	14010341	24/38X4.0FB	14010342	24/38X4.0FC	14010343	24/38X4.0FD	14010344	38x4.0
1 1/2"	24/42X4.0FA	14010366	24/42X4.0FB	14010367	24/42X4.0FC	14010368	24/42X4.0FD	14010369	42x4.0
1 1/2"	24/50X5.0FA	14010397	24/50X5.0FB	14010398	24/50X5.0FC	14010399	24/50X5.0FD	14010400	50x5.0
2"	32/50X5.0FA	14010411	32/50X5.0FB	14010412	32/50X5.0FC	14010413	32/50X5.0FD	14010414	50x5.0
2"	32/60X5.0FA	14010421	32/60X5.0FB	14010422	32/60X5.0FC	14010423	32/60X5.0FD	14010424	60x5.0
2"	32/60X6.0FA	14010426	32/60X6.0FB	14010427	32/60X6.0FC	14010428	32/60X6.0FD	14010429	60x6.0
2 1/2"	40/60X5.0FA	14010451	40/60X5.0FB	14010452	40/60X5.0FC	14010453	40/60X5.0FD	140104531	60x5.0
2 1/2"	40/72X7.0FA	1401045355	40/72X7.0FB	1401045365	40/72X7.0FC	14010454	40/72X7.0FD	1401045401	72x7.0
2 1/2"	40/75X5.0FA	14010455	40/75X5.0FB	14010456	40/75X5.0FC	14010457	40/75X5.0FD	14010458	75x5.0
3"	48/75X5.0FA	14010476	48/75X5.0FB	14010477	48/75X5.0FC	14010478	48/75X5.0FD	14010479	75x5.0
3"	48/90X5.0FA	14010481	48/90X5.0FB	14010482	48/90X5.0FC	14010483	48/90X5.0FD	14010484	90x5.0

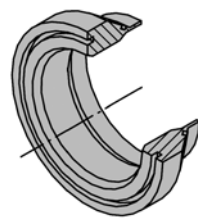
Body material: St 52

Other materials by request, for example Stainless Steel, SMO, Duplex, Titanium and Superduplex.

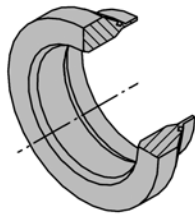
SAE 3000 PSI

Insert Cones for Flare Flange Connections

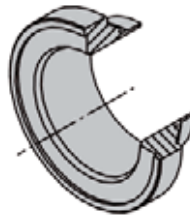
SAE J 518 Code 61



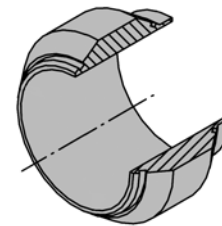
Type A



Type B



Type C

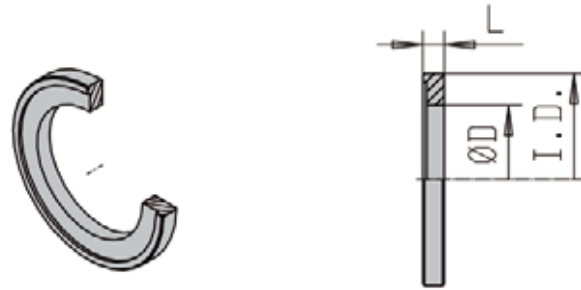


Type D

ANSI 36.19

Size	Part No Type A	ID Code Type A	Part No Type B	ID Code Type B	Part No Type C	ID Code Type C	Part No Type D	ID Code Type D	Pipe Size
1/2"	08/21.3X3.7FA	1401004921	08/21.3X3.7FB	14010049212	08/21.3X3.7FC	14010049214	08/21.3X3.7FD	14010049216	21.3X3.7
1/2"	08/21.3X4.8FA	1401004922	08/21.3X4.8FB	14010049222	08/21.3X4.8FC	14010049224	08/21.3X4.8FD	14010049226	21.3X4.8
1/2"	08/19.05X2.11FA	1401004911	08/19.05X2.11FB	14010049112	08/19.05X2.11FC	14010049114	08/19.05X2.11FD	14010049116	19.05X2.11
1/2"	08/19.05X2.41FA	1401004912	08/19.05X2.41FB	14010049122	08/19.05X2.41FC	14010049124	08/19.05X2.41FD	14010049126	19.05X2.41
1/2"	08/19.05X2.77FA	1401004913	08/19.05X2.77FB	14010049132	08/19.05X2.77FC	14010049134	08/19.05X2.77FD	14010049136	19.05X2.77
3/4"	12/26.7X3.9FA	1401003130	12/26.7X3.9FB	14010031302	12/26.7X3.9FC	14010031304	12/26.7X3.9FD	14010031306	26.7X3.9
3/4"	12/26.7X5.6FA	1401003131	12/26.7X5.6FB	14010031312	12/26.7X5.6FC	14010031314	12/26.7X5.6FD	14010031316	26.7X5.6
3/4"	12/25.4X2.11FA	1401003120	12/25.4X2.11FB	14010031202	12/25.4X2.11FC	14010031204	12/25.4X2.11FD	14010031206	25.4X2.11
3/4"	12/25.4X2.77FA	1401003121	12/25.4X2.77FB	14010031212	12/25.4X2.77FC	14010031214	12/25.4X2.77FD	14010031216	25.4X2.77
3/4"	12/25.4X3.05FA	1401003122	12/25.4X3.05FB	14010031222	12/25.4X3.05FC	14010031224	12/25.4X3.05FD	14010031226	25.4X3.05
1"	16/33.4X3.4FA	1401019721	16/33.4X3.4FB	14010197212	16/33.4X3.4FC	14010197214	16/33.4X3.4FD	14010197216	33.4X3.4
1"	16/33.4X4.6FA	140101973	16/33.4X4.6FB	140101974	16/33.4X4.6FC	140101975	16/33.4X4.6FD	140101976	33.4X4.6
1"	16/33.4X6.4FA	140101978	16/33.4X6.4FB	1401019782	16/33.4X6.4FC	1401019784	16/33.4X6.4FD	1401019786	33.4X6.4
1"	16/31.75X2.77FA	140101918	16/31.75X2.77FB	1401019182	16/31.75X2.77FC	1401019184	16/31.75X2.77FD	1401019186	31.75X2.77
1"	16/31.75X3.05FA	140101901	16/31.75X3.05FB	140101902	16/31.75X3.05FC	14010191	16/31.75X3.05FD	140101916	31.75X3.05
1"	16/31.75X3.40FA	14010192	16/31.75X3.40FB	140101922	16/31.75X3.40FC	140101924	16/31.75X3.40FD	140101926	31.75X3.40
1 1/4"	20/38.1X3.40FA	14010298	20/38.1X3.40FB	140102982	20/38.1X3.40FC	140102984	20/38.1X3.40FD	140102986	38.1X3.40
1 1/4"	20/38.1X3.96FA	14010299	20/38.1X3.96FB	140102992	20/38.1X3.96FC	140102994	20/38.1X3.96FD	140102996	38.1X3.96
1 1/4"	20/38.1X4.78FA	14010300	20/38.1X4.78FB	140103002	20/38.1X4.78FC	140103004	20/38.1X4.78FD	140103006	38.1X4.78
1 1/4"	20/42.2X3.6FA	14010314	20/42.2X3.6FB	140103142	20/42.2X3.6FC	140103144	20/42.2X3.6FD	140103146	42.2X3.6
1 1/4"	20/42.2X4.9FA	14010315	20/42.2X4.9FB	140103152	20/42.2X4.9FC	140103154	20/42.2X4.9FD	140103156	42.2X4.9
1 1/4"	20/42.2X6.4FA	14010316	20/42.2X6.4FB	140103162	20/42.2X6.4FC	140103164	20/42.2X6.4FD	140103166	42.2X6.4
1 1/2"	24/50.8X3.96FA	14010386	24/50.8X3.96FB	140103862	24/50.8X3.96FC	140103864	24/50.8X3.96FD	140103866	50.8X3.96
1 1/2"	24/50.8X4.78FA	14010387	24/50.8X4.78FB	140103872	24/50.8X4.78FC	140103874	24/50.8X4.78FD	140103876	50.8X4.78
1 1/2"	24/48.3X3.7FA	14010379	24/48.3X3.7FB	140103792	24/48.3X3.7FC	140103794	24/48.3X3.7FD	140103796	48.3X3.7
1 1/2"	24/48.3X5.1FA	1401038214	24/48.3X5.1FB	1401038215	24/48.3X5.1FC	1401038218	24/48.3X5.1FD	1401038219	48.3X5.1
2"	32/60.3X3.9FA	14010438	32/60.3X3.9FB	140104382	32/60.3X3.9FC	140104384	32/60.3X3.9FD	140104386	60.3X3.9
2"	32/60.3X5.5FA	14010439	32/60.3X5.5FB	140104392	32/60.3X5.5FC	140104394	32/60.3X5.5FD	140104396	60.3X5.5
2 1/2"	40/73X5.2FA	14010454041	40/73X5.2FB	14010454042	40/73X5.2FC	14010454044	40/73X5.2FD	14010454046	73X5.2
2 1/2"	40/73X7.0FA	1401045405	40/73X7.0FB	1401045406	40/73X7.0FC	1401045407	40/73X7.0FD	1401045408	73X7.0
3"	48/88.9X5.5FA	14010489	48/88.9X5.5FB	140104892	48/88.9X5.5FC	140104894	48/88.9X5.5FD	140104896	88.9X5.5
3"	48/88.9X7.7FA	14010491	48/88.9X7.7FB	140104912	48/88.9X7.7FC	140104914	48/88.9X7.7FD	140104916	88.9X7.7

Material: St 52
 Other materials by request, for example Stainless Steel, SMO, Duplex, Titanium and Superduplex.
 Type C with metric bonded seal. By request with ANSI 36.19 bonded seal.



TUBES & PIPES

CLAMPS

VALVES

BITE TYPE FITTINGS

SAE J514 JIC FLARE FITTINGS

HOSES & HOSE COUPLINGS

ADAPTORS

SPECIAL SOLUTIONS

MACHINES

TECHNICAL INFORMATION

Metric

Size	Part No	ID Code	L	D	ID	Weight (kg)
1/2"	08099	18030001	7	30	14	0.02
3/4"	12099	18030010	7	40	20	0.05
1"	16099	18030020	7	45	24	0.06
1 1/4"	20099	18030030	7	50	30	0.07
1 1/2"	24099	18030040	7	60	39	0.09
2"	32099	18030050	7	70	49	0.12
2 1/2"	40099	18030060	7	84	60	0.16
3"	48099	18030070	7	102	72	0.22

Component material: St 52
 Other materials by request, for example Stainless Steel, SMO, Duplex, Titanium and Superduplex.

SAE 3000 PSI

Adapter between Metric and ANSI 36.19

SAE J 518 Code 61

TUBES & PIPES

CLAMPS

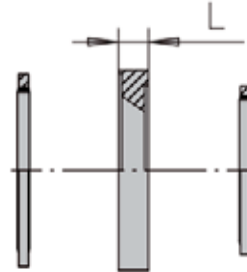
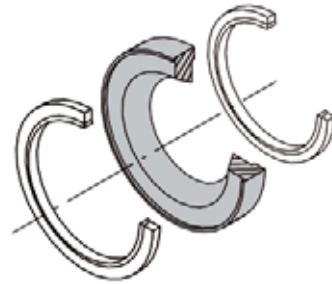
VALVES

BITE TYPE
FITTINGSSAE J514 JIC
FLARE FITTINGSHOSES &
HOSE COUPLINGS

ADAPTORS

SPECIAL
SOLUTIONS

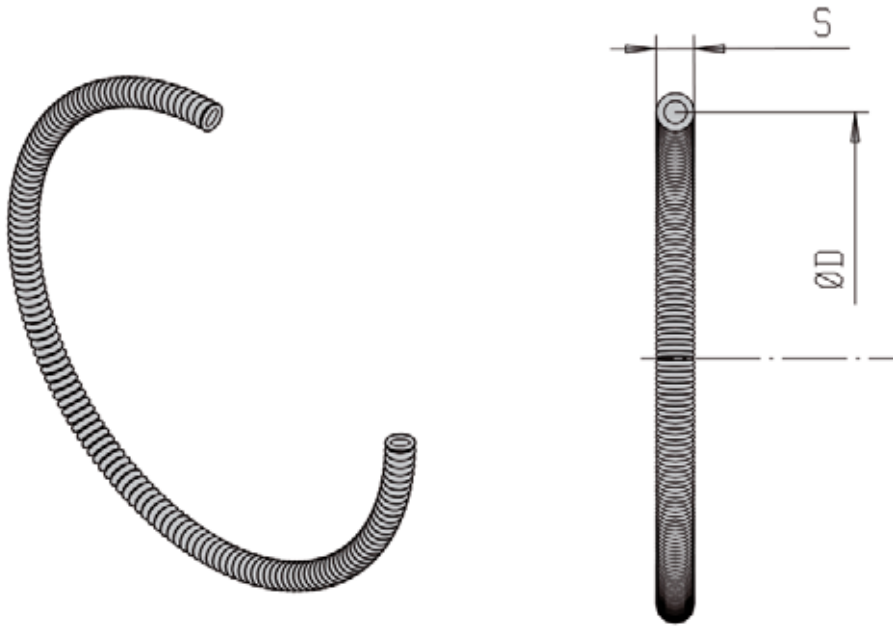
MACHINES

TECHNICAL
INFORMATION

Metric/ANSI 36.19

Size	Part No	ID Code	A-Tube	B-Pipe	Bonded Seal		L
					1	2	
1/2"	08087	18032010	26x6.0	21.3x7.5	0823	0821	10
3/4"	12087	18032020	36x8.0	26.7x7.8	1213	0823	10
1"	16087	18032030	39x7.5	33.4x6.4	1629	1633	10
1"	16088	18032035	39x7.5	33.4x9.1	1629	1633	10
1 1/4"	20087	18032040	46x8.5	42.2x6.4	2030	2042	10
1 1/4"	20088	18032045	46x8.5	42.2x9.7	2030	2042	10
1 1/2"	24087	18032050	56x8.5	48.3x7.1	2432	2448	10
1 1/2"	24088	18032055	56x8.5	48.3x10.2	2432	2448	10
2"	32087	18032060	66x8.5	60.3x8.7	3219	3260	10
2"	32088	18032065	66x8.5	60.3x11.1	3219	3260	10

Component material: St 52
 Other materials by request, for example Stainless Steel,
 SMO, Duplex, Titanium and Superduplex.



TUBES & PIPES

CLAMPS

VALVES

BITE TYPE FITTINGS

SAE J514 JIC FLARE FITTINGS

HOSES & HOSE COUPLINGS

ADAPTORS

SPECIAL SOLUTIONS

MACHINES

TECHNICAL INFORMATION

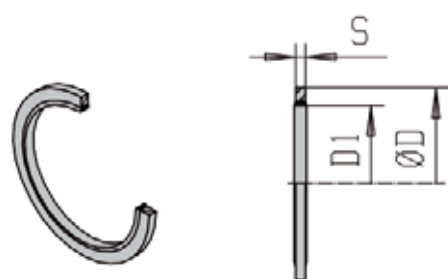
Metric

Size	Part No	ID Code	Pipe Size	D	S
1/2"	08	19020001	26x6	30	4
3/4"	12	19020010	36x8	40	4
1"	16	19020020	39x7.5	44	5
1 1/4"	20	19020030	46x8	51	5
1 1/2"	24	19020040	56x8.5	61	5
2"	32	19020060	66x8.5	71	5
2 1/2"	40	19020070	80x10	85	5
3"	48	19020080	97x12	103	6

ANSI 36.19

Size	Part No	ID Code	Pipe Size	D	S
1/2"	08/21.3	19020002	21.3x7.5	25.4	4
3/4"	12/26.7	19020012	26.7x7.8	30.7	4
1"	16/33.4	19020022	33.4x9.1	38.4	5
1 1/4"	20/42.2	19020032	42.2x9.7	47.2	5
1 1/2"	24/48.3	19020042	48.3x10.2	53.4	5
2"	32/60.3	19020062	60.3x11.1	66.3	6
2 1/2"	40/73.0	19020072	73.0x14.02	66.3	6
3"	48/88.9	19020082	88.9x15.2	96.9	8

Material: AISI 302, special treated.



Type-SC bonded seal are using in male thread flanges (BSP) as O-ring 2. See page 71.

1225SC is Bonded Seal 2 for 08014
 1629SC is Bonded Seal 2 for 12014
 2030SC is Bonded Seal 2 for 16014
 2432SC is Bonded Seal 2 for 20014
 2433SC is Bonded Seal 2 for 24014
 3236SC is Bonded Seal 2 for 32014

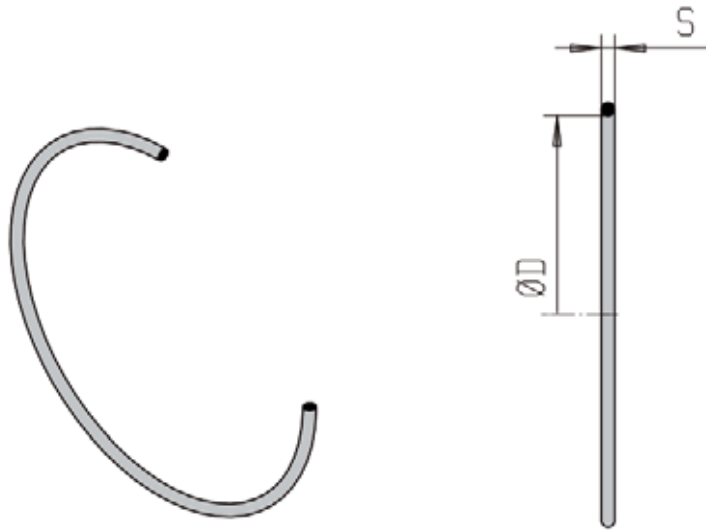
Metric

Size	Part No	ID Code	S	D	D1
R1/4"	0821SC	19030510	2.10	20.63	13.71
1/2"	0823	19030014	2.03	23.80	17.28
3/4"	1213	19030020	2.34	33.27	24.26
R1/2"	1225SC	19030520	2.34	28.58	21.54
1"	1629	19030030	2.34	34.93	27.05
R3/4"	1629SC	19030530	2.34	34.93	27.05
1 1/4"	2030	19030040	3.25	42.80	33.89
R1"	2030SC	19030540	3.25	42.80	33.89
1 1/2"	2432	19030050	3.25	52.38	42.93
R1 1/4"	2432SC	19030550	3.25	52.38	42.93
R1 1/2"	2433SC	19030560	3.25	58.60	48.44
2"	3219	19030070	3.25	63.50	51.69
R2"	3236SC	19030570	3.25	73.03	60.58
2 1/2"	4037	19030080	3.25	75.00	64.39
3"	4839	19030090	3.25	90.17	76.08

ANSI 36.19

Size	Part No	ID Code	Pipe Size	S
1/2"	0821	19030010	21.3x7.5	2.10
R1/2"	1225SC	19030520	21.3x7.5	2.34
3/4"	0823	19030014	26.7x7.8	2.03
R3/4"	1629SC	19030530	26.7x7.8	2.34
1"	1633	19030030	33.4x9.1	2.34
R1"	2030SC	19030540	33.4x9.1	3.25
1 1/4"	2024	19030044	42.2x9.7	3.25
R1 1/4"	2432SC	19030550	42.2x9.7	3.25
1 1/2"	2448	19030052	48.3x10.2	3.25
R1 1/2"	2433SC	19030560	48.3x10.2	3.25
2"	3260	19030074	60.3x11.1	3.25
R2"	3236SC	19030570	60.3x11.1	3.25
2 1/2"	4073	19030082	73.0x9.53	3.25
3"	4888	19030092	88.9x15.2	3.25

Material: Steel and Perbunan or Stainless Steel and Perbunan.



TUBES & PIPES

CLAMPS

VALVES

BITE TYPE FITTINGS

SAE J514 JIC FLARE FITTINGS

HOSES & HOSE COUPLINGS

ADAPTORS

SPECIAL SOLUTIONS

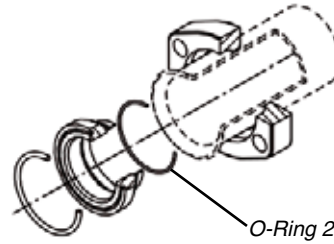
MACHINES

TECHNICAL INFORMATION

O-Ring between 37° Insert Cones – Metric/ANSI 36.19

Size	Part No	ID Code	GS Size
1/2"	OR18.64X3.53	19035060	08
3/4"	OR24.99X3.53	19035120	12
1"	OR32.92X3.53	19035194	16
1 1/4"	OR37.69X3.53	19035242	20
1 1/2"	OR47.22X3.53	19035290	24
2"	OR56.75X3.53	19035350	32
2 1/2"	OR69.44X3.53	19035400	40
3"	OR85.32X3.53	19035460	48

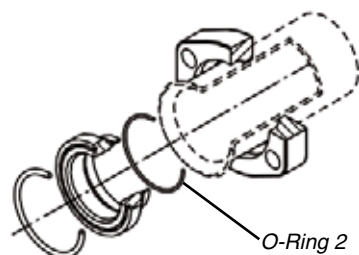
Material: NBR, Shore A 90
Other materials by request, example Viton.

SAE 3000 PSI**O-Ring 2 for Insert Cone****SAE J 518 Code 61****Metric**

Pipe Size	Part No	ID Code
16x2.0	OR12x1.0	19035000
16x2.5	OR12x1.0	19035000
18x2.0	OR14x1.0	19035020
20x2.0	OR14x1.0	19035020
20x2.5	OR16x1.0	19035040
20x3.0	OR15x1.0	19035030
20x4.0	OR12x1.0	19035000
20x4.0	OR17x1.0	19035052
22x2.0	OR22x1.0	19035100
25x1.5	OR20x1.0	19035080
25x2.0	OR20x1.0	19035080
25x2.5	OR20x1.0	19035080
25x3.0	OR17x1.0	19035052
25x3.5	OR17x1.0	19035052
25x3.0	OR23x1.0	19035110
25x3.5	OR25x1.0	19035132
25x4.0	OR25x1.0	19035132
28x2.0	OR23x1.0	19035110
30x2.0	OR22x1.0	19035100
30x2.5	OR25x1.0	19035132
30x3.0	OR30x1.0	19035172
30x4.0	OR28x1.0	19035160
34x4.5	OR32x1.0	19035196
35x2.0	OR30x1.0	19035172
36x4.0	OR28x1.0	19035160
38x2.5	OR32x1.0	19035196
38x3.0	OR30x1.0	19035172
38x4.0	OR30x1.0	19035172
38x5.0	OR28x1.0	19035160
42x2.0	OR37.82x1.78	19035246
42x2.5	OR37.82x1.78	19035246
42x3.0	OR34x1.0	19035212
42x4.0	OR34x1.0	19035212
43x5.5	OR32x1.0	19035212
45x4.0	OR37.82x1.78	19035246
48x4.0	OR41x1.78	19035250
50x3	OR41x1.78	19035250
50x5.0	OR41x1.78	19035250
50x6.0	OR37.82x1.78	19035246
57x2.0	OR53.7x1.78	19035330
60x3.0	OR52.5x1.78	19035320
60x5.0	OR50.52x1.78	19035310
60x6.0	OR47.37x1.78	19035292
75x3.0	OR66.4x1.78	19035380
75x5.0	OR63.22x1.78	19035370
90x3.5	OR82.27x1.78	19035442
90x5.0	OR79x1.78	19035430

Material: NBR, Shore A 90

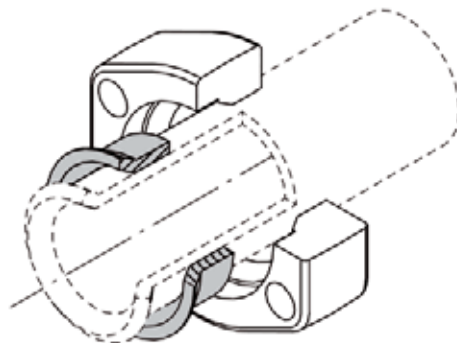
Other materials by request, example Viton.



ANSI 36.19

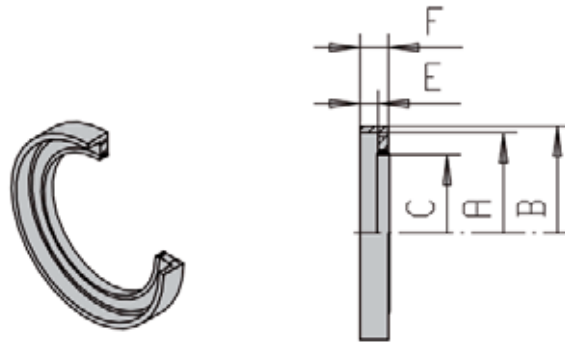
Pipe Size	Part No	Part ID Code
19.05x2.11	OR15x1.0	19035030
19.05x2.41	OR12x1.0	19035000
19.05x2.77	OR14x1.0	19035020
21.3x3.7	OR14x1.0	19035020
21.3x4.8	OR12x1.0	19035000
25.4x2.11	OR20x1.0	19035080
25.4x2.77	OR20x1.0	19035080
25.4x3.05	OR20x1.0	19035080
26.7x3.9	OR20x1.0	19035080
26.7x5.6	OR16x1.0	19035040
31.75x2.77	OR25x1.0	19035132
31.75x3.05	OR25x1.0	19035132
31.75x3.40	OR23x1.0	19035110
33.4x3.4	OR28x1.0	19035160
33.4x4.6	OR23x1.0	19035110
33.4x6.4	OR21x1.0	19035085
38.1x3.40	OR30x1.0	19035172
38.1x3.96	OR30x1.0	19035172
38.1x4.78	OR28x1.0	19035160
42.2x3.6	OR34x1.0	19035212
42.2x4.9	OR32x1.0	19035196
42.2x6.4	OR34x1.0	19035212
48.3x3.7	OR41x1.78	19035250
48.3x5.1	OR37.82x1.78	19035246
50.8x3.96	OR41x1.78	19035250
50.8x4.78	OR41x1.78	19035250
60.3x3.9	OR53.70x1.78	19035330
60.3x5.5	OR50.52x1.78	19035310
73.0x5.2	OR63.22x1.78	19035370
73.0x7.0	OR56.8x1.78	19035352
88.9x5.5	OR79x1.78	19035430
88.9x7.7	OR72.75x1.78	19035410

Material: NBR, Shore A 90
Other materials by request, example Viton.

**Metric**

Size	Part No	ID Code	Pipe O.D. (mm)
1/2"	08/16F	14010001	16
1/2"	08/18F	14010020	18
1/2"	08/20F	14010040	20
3/4"	12/20F	14010100	20
3/4"	12/25F	14010120	25
1"	16/25F	14010160	25
1"	16/30F	14010180	30
1 1/4"	20/30F	14010240	30
1 1/4"	20/38F	14010280	38
1 1/2"	24/38F	14010340	38
1 1/2"	24/42F	14010360	42
2"	32/50F	14010410	50
2 1/2"	40/60F	14010450	60
2 1/2"	40/72F	1401045330	72
3"	48/75F	14010475	75

Component material: St 52
 Other materials by request, for example Stainless Steel,
 SMO, Duplex, Titanium and Superduplex.



Metric

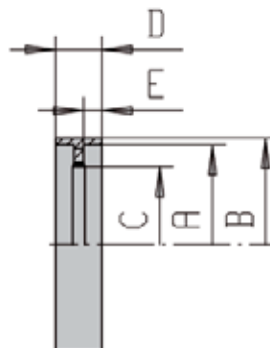
Size	Pipe O.D.	Complete Part No	Complete ID Code	Dowty Seal Part No	A	B	C	E	F
1 1/2"	56	S2450	18998024	2432	56.2	60.5	42.9	6	9.3
2"	66	S3250	18998032	3219	66.2	70.5	51.7	6	9.3
2 1/2"	80	S4050	18998040	4037	80.2	84.5	64.3	7	10.3
3"	97	S4850	18998048	4839	97.3	102.5	76.0	9	12.3

ANSI 36.19

Size	Pipe O.D.	Complete Part No	Complete ID Code	Dowty Seal Part No	A	B	C	E	F
1/2"	21.6	S0850/31.3x7.47	18999308	0821	21.8	25	10.4	4	6
3/4"	26.7	S1250/26.7xW.T	18999312	0823	26.9	30.5	17.3	4	6
1"	33.4	S1650/33.4xW.T	18999316	1633	33.6	38	21.5	4	6.3
1 1/4"	42.2	S2050/42.2xW.T	18999320	2042	42.4	47	31.0	4	6.3
1 1/2"	48.3	S2450/48.3xW.T	18999324	2448	48.5	53	35.9	6	9.3
2"	60.3	S3250/60.3xW.T	18999332	3260	60.5	65	46.5	6	9.3
3"	88.9	S4850/88.9xW.T	18999348	4888	89.2	95	70	9	13.0

Seal Carrier material: same as pipe

Bonded Seals page 92



Metric

Size	Pipe O.D.	Complete Part No	Complete ID Code	Dowty Seal Part No	A	B	C	E	D
1 1/2"	56	D2450	18998124	2432	56.2	60.5	42.9	6	15.3
2"	66	D3250	18998132	3219	66.2	70.5	51.7	6	15.3
2 1/2"	80	D4050	18998140	4037	80.2	84.5	64.3	7	17.3
3"	97	D4850	18998148	4839	97.3	102.5	76.0	9	21.3

ANSI 36.19

Size	Pipe O.D.	Complete Part No	Complete ID Code	Dowty Seal Part No	A	B	C	E	D
1/2"	21.6	D0850/21.3x7.47	18999208	0821	21.8	25	10.4	4	10
3/4"	26.7	D1250/26.7xW.T	18999212	0823	26.9	30.5	17.3	4	10
1"	33.4	D1650/33.4xW.T	18999216	1633	33.6	38	21.5	4	10.3
1 1/4"	42.2	D2050/42.2xW.T	18999220	2042	42.4	47	31.0	4	10.3
1 1/2"	48.3	D2450/48.3xW.T	18999224	2448	48.5	53	35.9	6	15.3
2"	60.3	D3250/60.3xW.T	18999232	3260	60.5	65	46.5	6	15.3
3"	88.9	D4850/88.9xW.T	18999248	4888	89.2	95	70	9	22

Seal Carrier material: same as pipe

Bonded Seals page 92